



SAMARA

Functional parasol with crank mechanism

See the SAMARA parasol in action
www.caravita.eu/samara



SAMARA



2,5 x 2,5 m, cover 4034r acrylic, silver anodised frame, with wind roof



With its smooth crank mechanism, this shade provider unfolds easily to its true size to welcome guests underneath. Samara dispenses warm sun rays during the day and ensures comfortable temperatures under the parasol in the evening. Even in the largest size, this visually slight parasol is amazingly easy to use.

The benefits for you

- Closes over tables and patio furniture thanks to sophisticated telescopic system
- Struts made of high-grade aluminium provide wind stability
- Smooth and reliable crank mechanism

Shapes



Max. Size

4 x 4 m

3.5 x 4.5 m

Ø 5 m

Max. Shading

16 m²

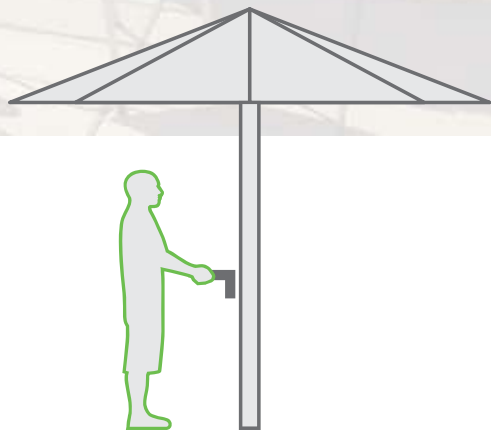
16 m²

20 m²



Technical details

- Operation** smooth crank
- Cover** Premium awning fabric in more than 120 colours. 100% acrylic, light-fast and weather-resistant. For information, see pages 94-95. Also available with fireproof fabric or PVC fabric (see p. 95).
- Frame** white RAL 9016, anthracite grey RAL 7016 or anodised silver, other RAL colours for a surcharge



You can find more information on Samara here: www.caravita.eu/samara



SAMARA

High-grade hub

High stability: The Samara parasol is equipped with an especially strong and solid aluminium hub. Powder coating is available in desired RAL colour.



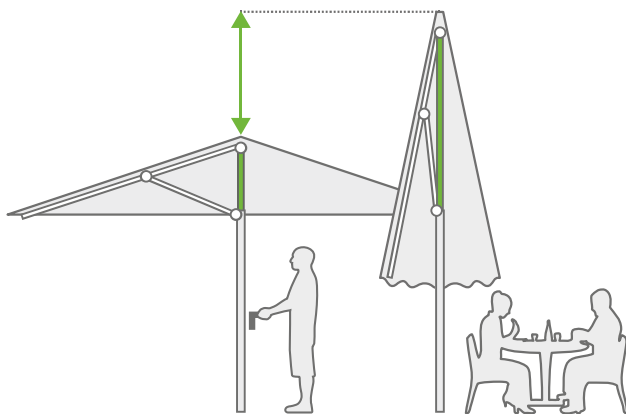
Smooth crank

Extremely easy to use: Samara can be opened and closed with a detachable stainless steel crank. The mechanism inside the pole ensures that the parasol can be closed easily with minimal physical effort.



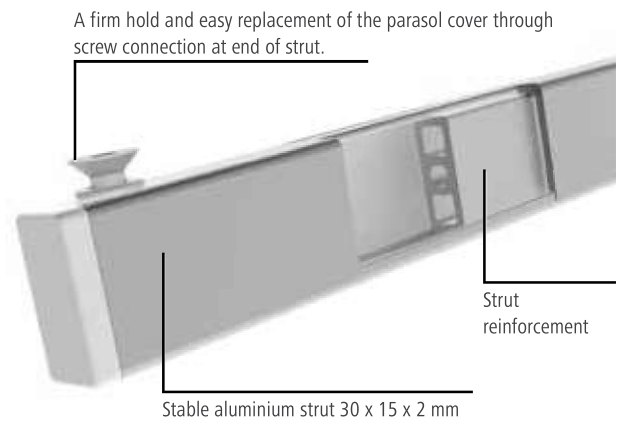
Sophisticated telescopic system

The advantage: the telescopic system extends the pole when closing! Tables and patio furniture can simply stay where they are.


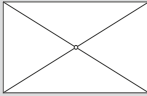
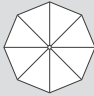


Stable struts

The parasol struts, made of 2 mm thick aluminium tube, are reinforced with special profiles in sections under particular strain.



Parasol sizes

		
250 x 250	200 x 300*	Ø 250
300 x 300	200 x 350*	Ø 300
350 x 350*	200 x 400*	Ø 350
400 x 400*	250 x 300*	Ø 400
	250 x 350*	Ø 450*
	250 x 400*	Ø 500*
	300 x 350*	
	300 x 400*	
	300 x 450*	
	350 x 400*	
	350 x 450*	

* Parasol struts reinforced with special profiles
You can find detailed dimensions for Samara here: www.caravita.eu/samara

5 YEAR
WARRANTY*



Supremo, 4 x 4 m, cover 4017 white, with wind roof

*5 years in accordance with our warranty conditions which can be found at www.caravita.eu/warranty