



## Fabric roofs Lamaxa

### Lamaxa L50 Tex

#### Protective

Sun shading and weather protection as required: shading can be regulated via the path of the roof product. The water-resistant roof with a rain drainage system invites you to stay, even in bad weather.

#### Design-focused

Smart sun shading and weather protection as an eye catcher: the Lamaxa slat roof system with fabric makes quite an impression with its clean design. A wide range of frame and fabric colours makes the combination a functional design element.

#### Combined

Flair with variety: the combination of different roof systems, such as the L50 Tex with fabric and the L50 with slats, generates different lighting effects and created a varied, individually designed atmosphere. The area can be used in a more versatile way.

#### Construction limit values

Maximum order width	4000 mm
Maximum order length	6000 mm
Maximum order area	24 m <sup>2</sup>

#### Order here

**myWAREMA**

[Art.-Nr. 2040238](#)

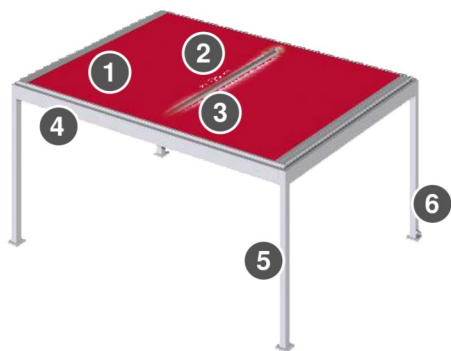
#### WAREMA tools

[Sun Shading Planner](#)

[see "Navigating the document", Page 5](#)

## Components

### Lamaxa L50 Tex WeatherEdition



1	Awning as sun shading system	4	Crossbeam
2	Drainage cutouts in the fabric	5	Pole
3	Rain gutter (below the cutouts)	6	Drainage in pole

### Pole

#### Pole - L50

Material	Aluminium, extruded
Surface	Powder-coated
Material, notes	one-piece
Width	110 mm
Height	110 mm

Installation options:

- Ground installation with frost-proof, on-site foundation.
- The grout for filling the clearance is not included in the scope of delivery when threaded rods are used.

### Base plate

#### Base plate - L50

Material	Galvanised steel
Surface	Plain
Optional surface	Powder-coated
Width	200 mm
Height	200 mm

### Crossbeam

#### Crossbeam - L50

Material	Aluminium, extruded
Surface	Powder-coated
Width	110 mm
Height	230 mm

#### Electrical distribution on the crossbeam, field c - L50

Material	Aluminium, folded
Surface	Powder-coated
Width	91,5 mm
Height	155 mm

Used as soon as one or more electronic accessory variants (e.g. LED strips, GranTex with easyZIP guidance)

are selected. If no electronic accessories are selected, the connection is made by cable in the crossbeam.

### Drainage

#### Rain gutter - L50 Tex WeatherEdition

Material	Aluminium, extruded
Surface	Powder-coated
Width	150 mm
Height	90 mm

- Water drainage into the rain gutter is only possible when the awning curtain is completely extended.
- Depending on the sizes, tolerances and temperature, small amounts of water may begin to accumulate on the fabric.

#### Drainage in pole - L50

- Drainage through drainpipe in pole
- In order to achieve rain class 2 with a closed roof, at least one drainage point is required for a system size <math> < 16 \text{ m}^2 </math> and at least two drainage points for a system size  $\geq 16 \text{ m}^2$ . If the minimum number of drainage points is not observed, rain class 2 is not achieved.

#### Position of drainage outlet:

- Possible on every pole
- Drainage and electronics/connecting lines must always be installed in separate poles.
- On the outsides of the poles or downward
- Min. height.: 120 mm
- Max. height: 200 mm below the headroom

### Wall connection profile, optional

#### Wall connection profile with small rain hood

Material	Aluminium, extruded
Surface	Powder-coated
Width	54 - 65 mm
Height	48 mm
Dimensions, notes	The adjustment range in the depth between rain hood and wall connection profile is up to 11 mm.

The on-site sealing is the responsibility of the specialist partner; if necessary, the commissioning of a plumbing company is recommended.

Field of application:

- Terrea K50
- Terrea K70
- Perea P20 (up to an angle of  $10^\circ$ )
- Lamaxa L50/L60/L70

## Console, optional

### Wall console - L50

Material	Galvanised steel
Surface	Powder-coated
Width	75 mm
Height	177 mm
Depth	105 mm

- Use in corner as pole replacement.
- A maximum of two poles can be replaced by wall consoles.
- For a concrete mounting substructure; adapter plates are required for other substructures.
- The wall console protrudes 8 mm beyond the order width and order length. This results in a gap of 8 mm between the crossbeam and the wall.

## Drive variants

- Motor

### Motor

- WMS-LP (WMS)

+ see "Drive variants", Page 235

## Colours

- WAREMA Colour World, Individual category, fine texture surface quality
- WAREMA Colour World, Highlight category, fine texture surface quality
- WAREMA Colour World, Variation category, fine texture surface quality

Colours, optional:

- WAREMA Colour World

+ see "WAREMA colour world", Page 10

## Fabric qualities

- Sunworker Top

Fabric qualities, optional:

- Acrylic fabric

## Notes

### L50 Tex as sun shading solution:

If the L50 Tex is used solely as a sun shading system, the rain gutter and drainage cutouts are not included.

### L50 Tex WeatherEdition:

The L50 Tex WeatherEdition is equipped with an integrated drainage system through the travelling rain gutter and the frame profiles. It is designed for normal rainfall and therefore provides rain protection.

As an open pergola (awning product), it is not completely water-proof. Depending on the weather (wind, heavy rain), water may splash or drip on the extended fabric above the drainage cutouts in the area of the central rain gutter.

### L50 Tex wall connection profile:

The wall connection profile can be used on crossbeam a and c. At crossbeams b and d, the angle bracket used causes an offset between the profiles, which must be equalised and sealed on-site.

### Limit position learning:

The WAREMA Smart programming cable is required to set the motor limit positions.

### Operation and control:

To ensure comfortable and fast operation of the product, we recommend WMS WebControl pro (control via smartphone, tablet, etc.) and WMS Weather station plus in order to use the control modes (e.g. sun control). To do so, a sufficiently strong radio reception must be ensured.

### Number of optional extras per field:

Only one optional extra is possible per field. Either GranTex with easyZIP guidance, LED on the poles, sliding shutters with wooden or aluminium filling or the SL20e glass sliding system.

## Supplementary accessories

- Smart Living control package - Lamaxa
- Smart Living connect package - Lamaxa
- Design radiant heater
- GranTex with easyZIP guidance
- Glass sliding system SL20e
- Sliding shutters - L50/L60/L70
- Lamaxa lighting
- Offset pole - L50/L50 Tex
- Additional pole - L50

+ see "Supplementary accessories", Page 173



## Construction limit values

Configuration variants	Minimum order width	Maximum order width	Minimum order length	Maximum order length	Maximum order area	Minimum headroom	Maximum headroom
<b>Fabric qualities</b>							
Acrylic fabric / Sunworker Top	2500 mm	4000 mm	2000 mm	6000 mm	24 m <sup>2</sup>	800 mm	2700 mm

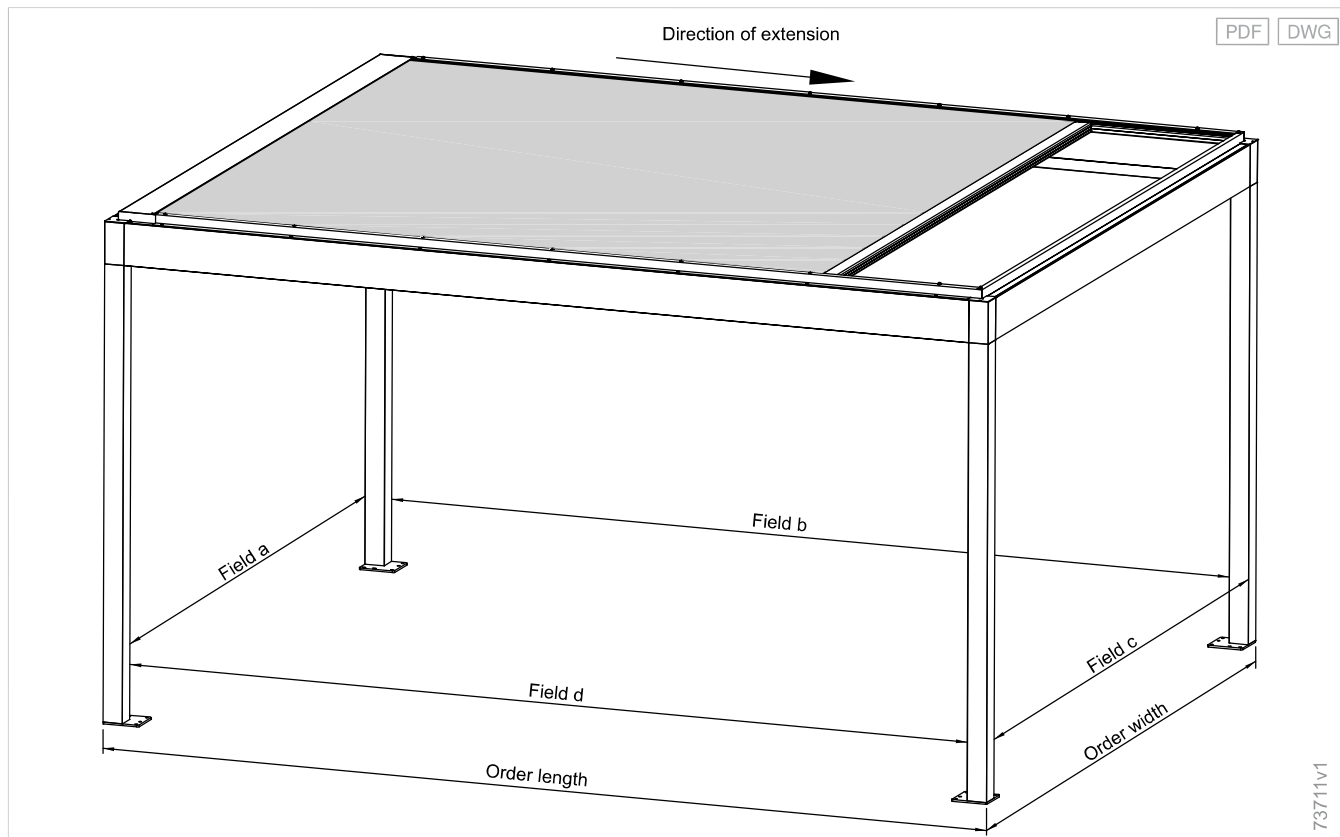
Following enquiry, deviations from the standard construction limit values are possible (within limits).

### Headroom/pole height:

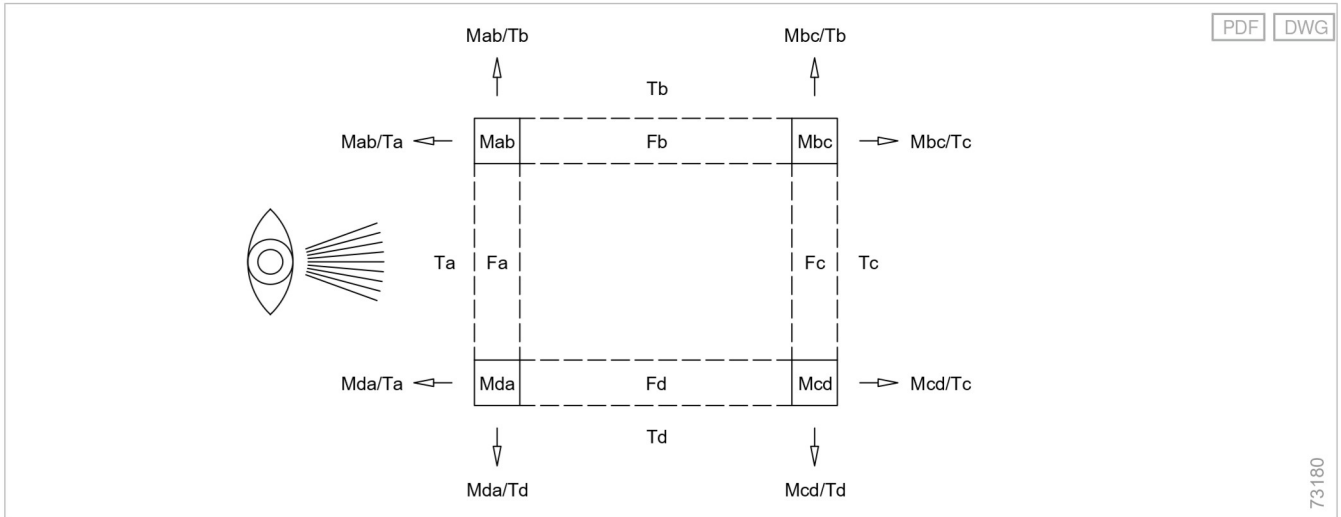
- The minimum height for poles with drainage is 800 mm.
- The minimum height for poles without drainage is 800 mm.
- The maximum pole height (headroom plus floor recess) is  $\leq 3000$  mm.

## Dimension determination

### Field definition - L50 Tex

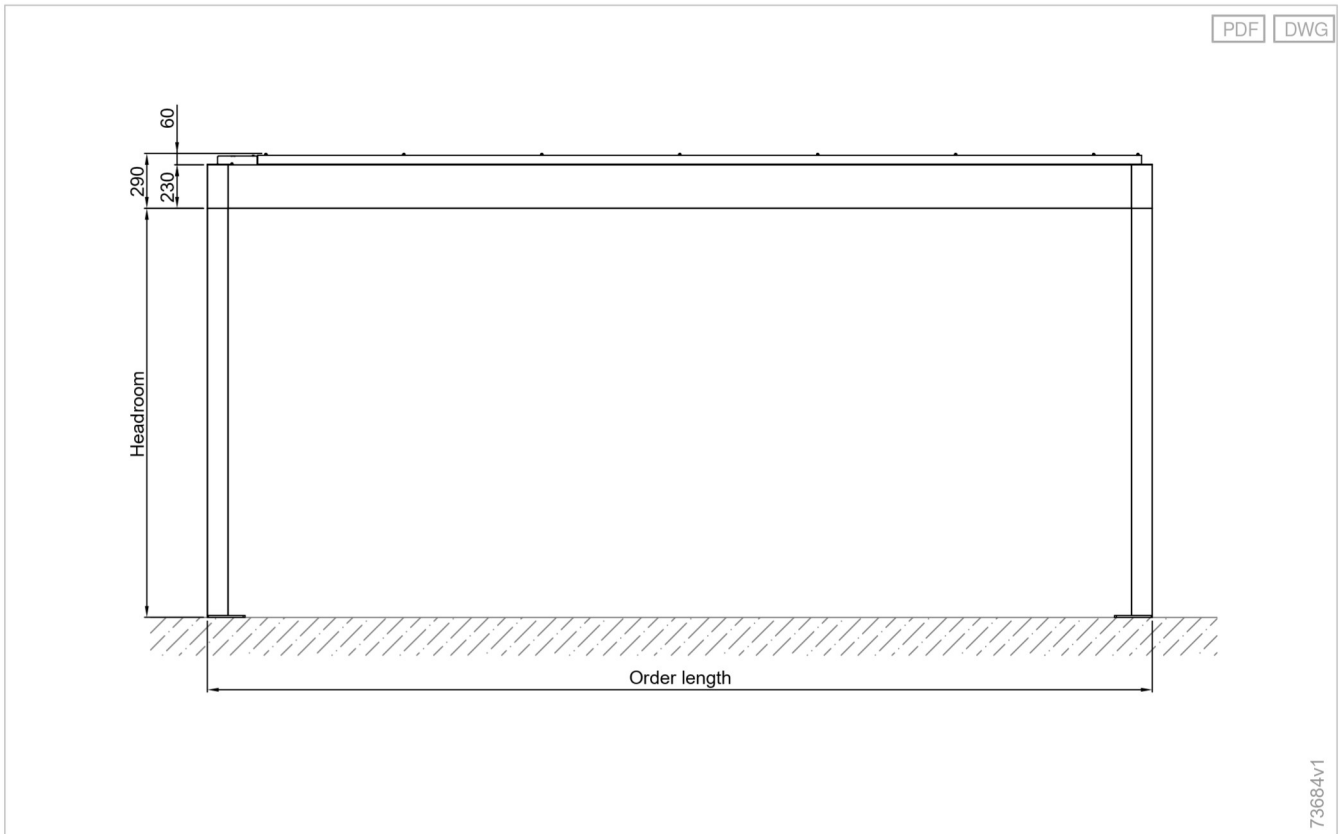


Top view of fields and poles - L50

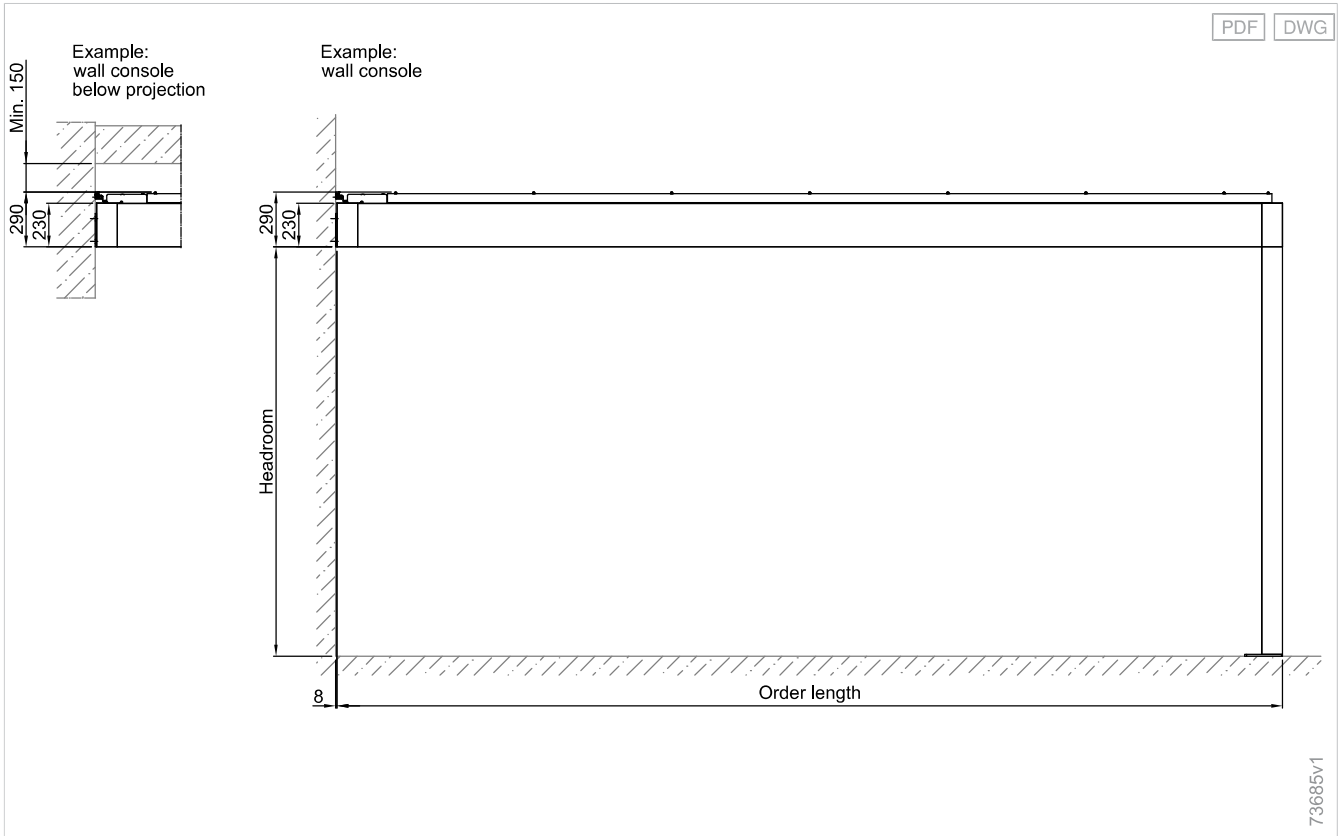


F Field  
M Point of installation (pole or wall connection)  
T Crossbeam

Side view - L50 Tex



Side view of wall connection with wall console - L50 Tex

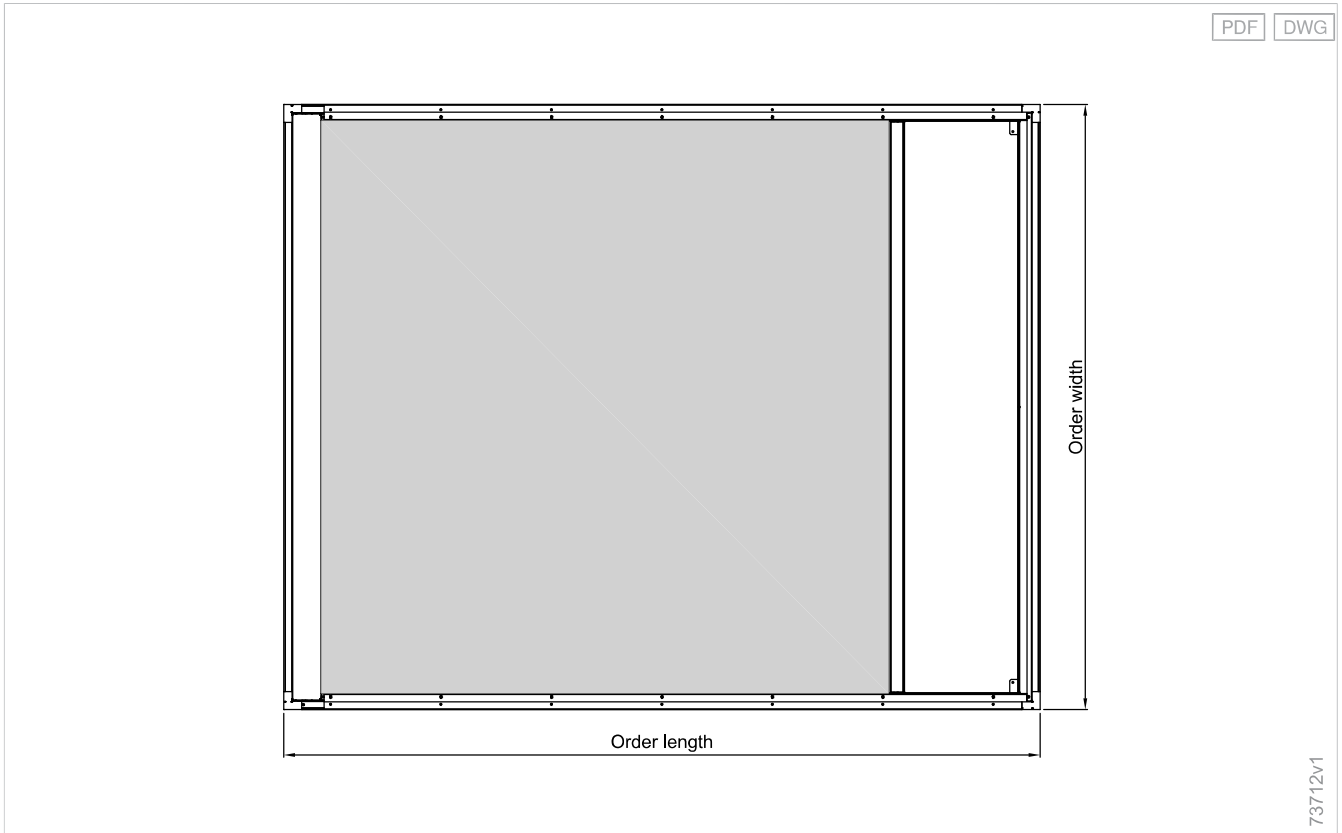


Planning

Slat roofs  
Lamaxa

Glass roofs  
Lamaxa

Top view for individual units - L50 Tex



Fabric roofs  
Lamaxa

Supplementary  
accessories

Drive  
variants

Standards

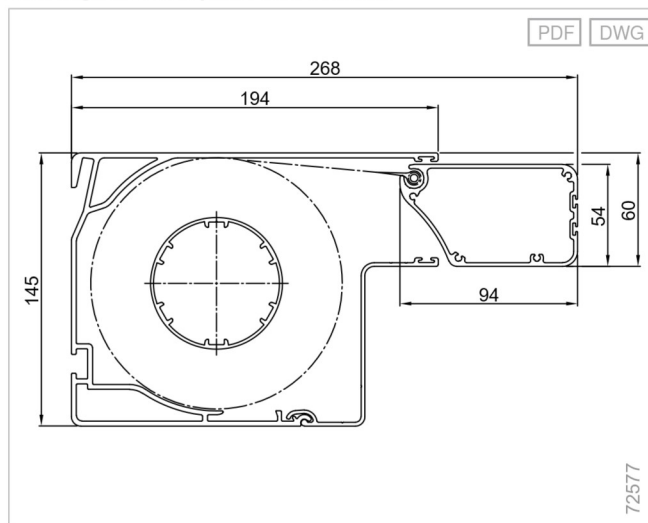
## Weight assessment

### Weight assessment for roof systems

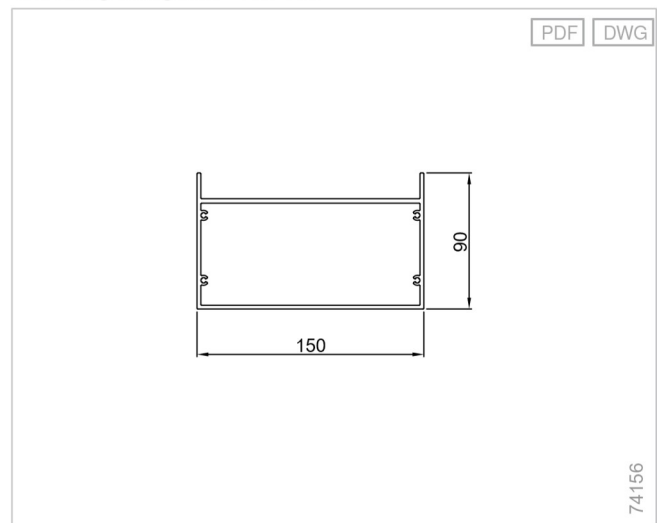
Order length	Order width			
	2000 - 2500 mm	2501 - 3000 mm	3001 - 3500 mm	3501 - 4000 mm
2500 mm	159 kg	171 kg	183 kg	195 kg
3000 mm	170 kg	182 kg	194 kg	207 kg
3500 mm	182 kg	194 kg	206 kg	218 kg
4000 mm	194 kg	206 kg	218 kg	230 kg
4500 mm	205 kg	218 kg	230 kg	242 kg
5000 mm	217 kg	229 kg	242 kg	254 kg
5500 mm	229 kg	241 kg	253 kg	266 kg
6000 mm	240 kg	253 kg	265 kg	278 kg

## Details

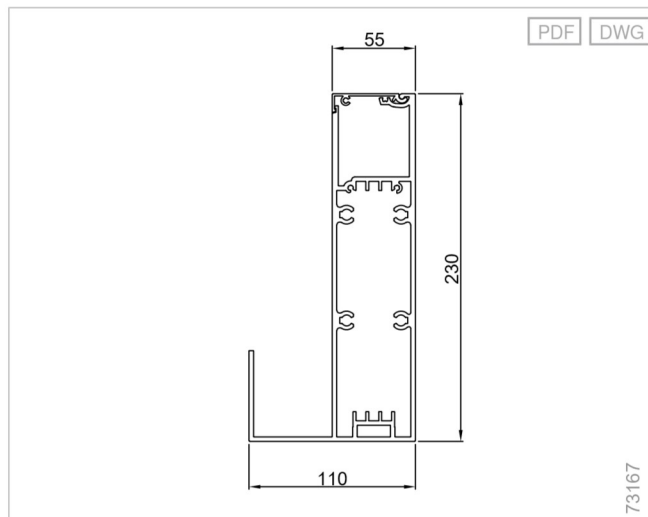
Rectangular cover panel and front rail



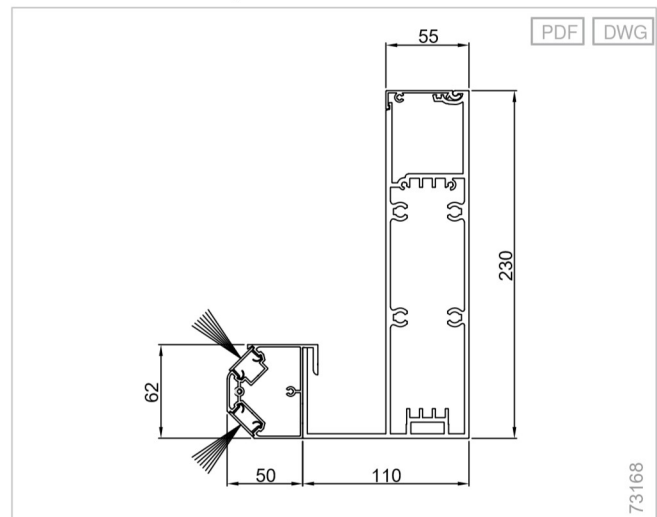
Travelling rain gutter - L50 Tex



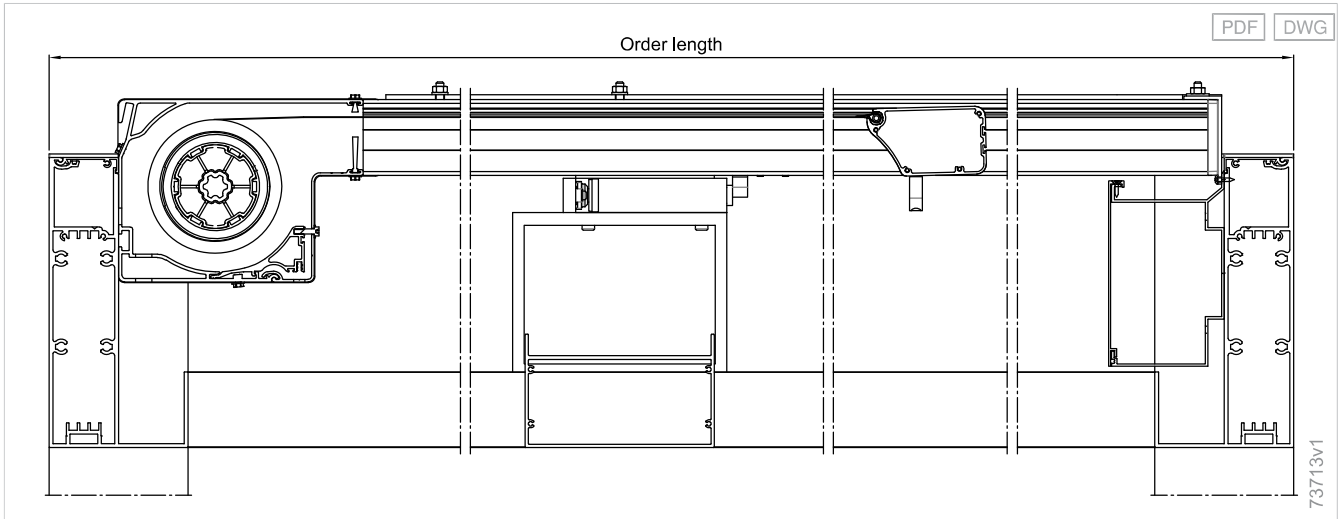
Crossbeam - L50



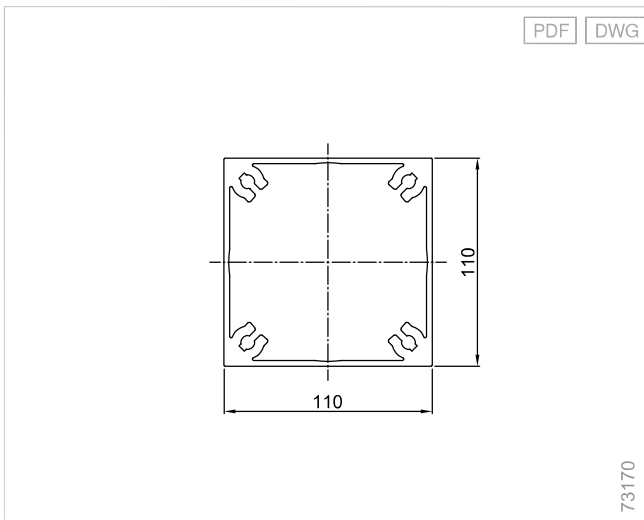
Crossbeam with LED profile - L50



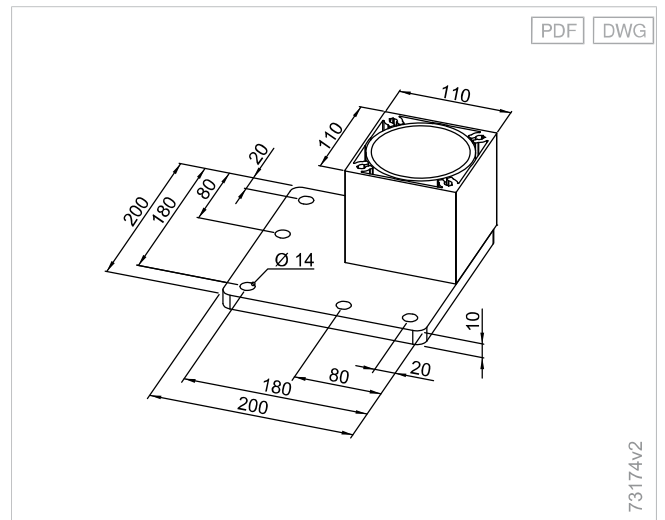
Connection box (electrical distribution on the crossbeam) - L50 Tex



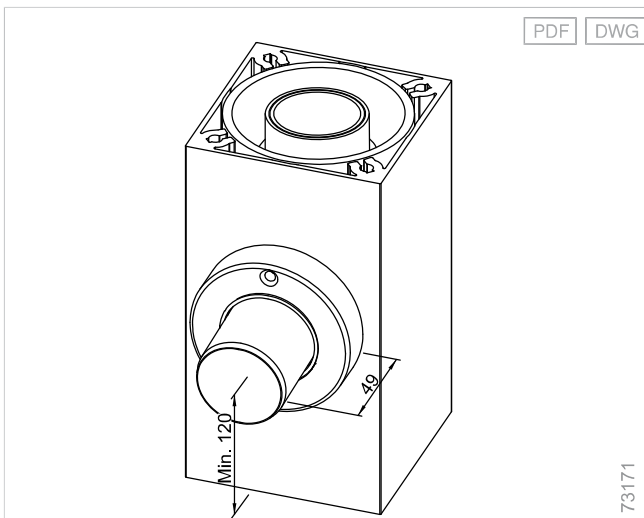
Pole - L50



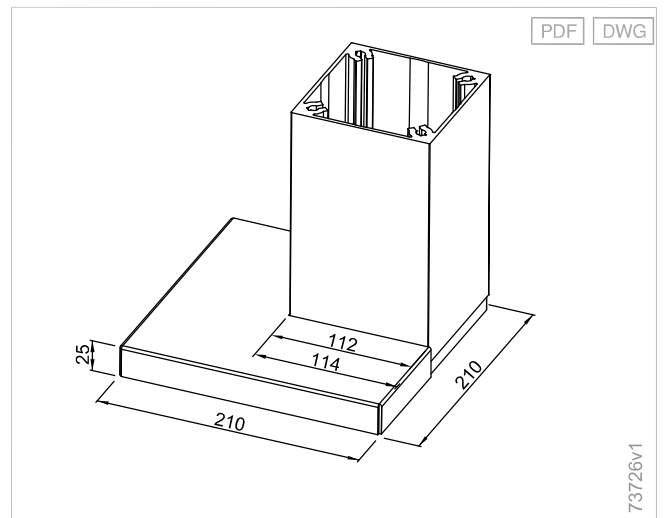
Base plate - L50



Position of drainage - L50



Corner installation base cover - L50



Planning

Slat roofs  
Lamaxa

Glass roofs  
Lamaxa

Fabric roofs  
Lamaxa

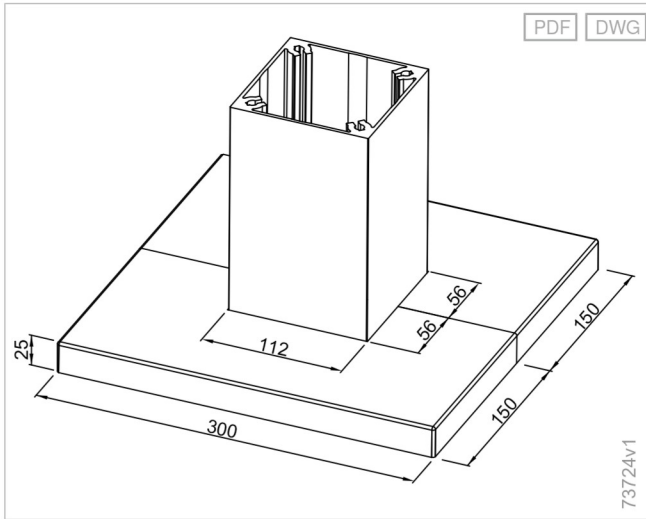
Supplementary  
accessories

Drive  
variants

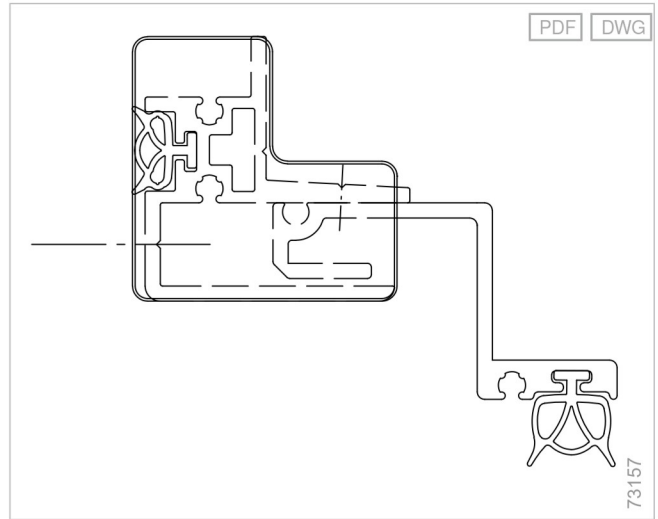
Standards



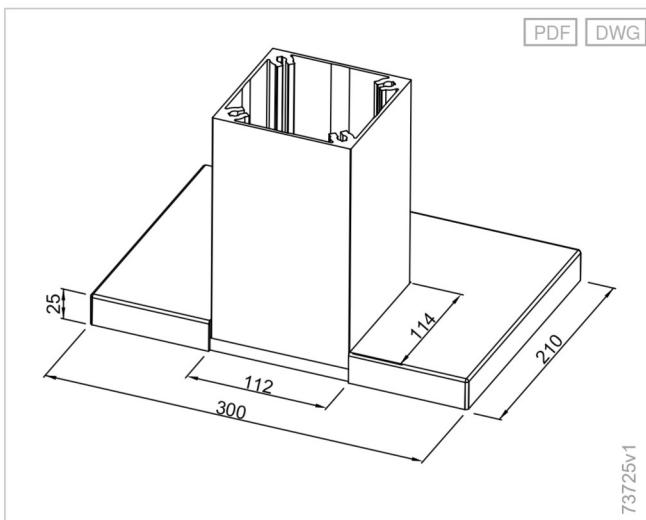
External base cover - L50



Wall connection profile with small rain hood - L50/L60/L70



Recess installation base cover - L50



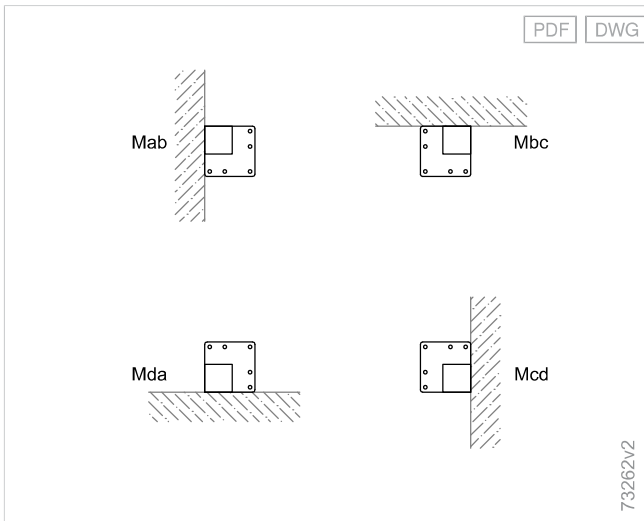
## Additional product information

### Pole installation options

Ground installation with frost-proof on-site foundation.

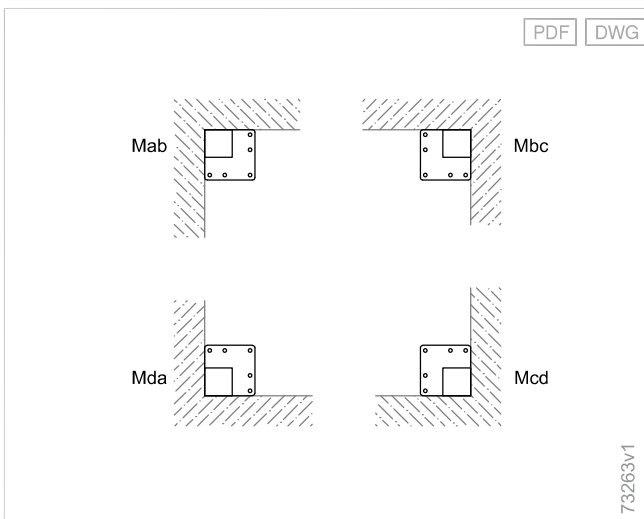
# Mounting examples

## Application of base plate for recess installation - L50



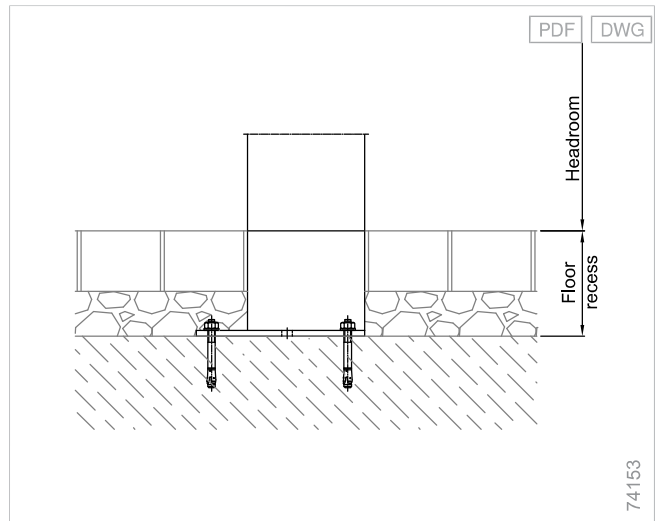
M Point of installation (pole or wall connection)

## Application of corner installation base plate - L50

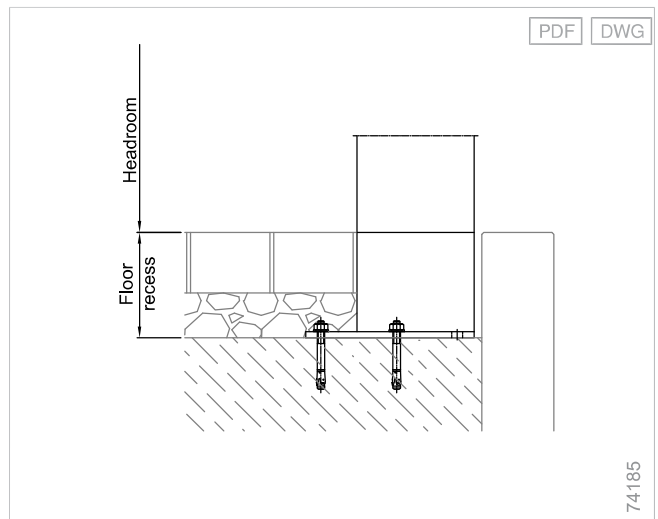


M Point of installation (pole or wall connection)

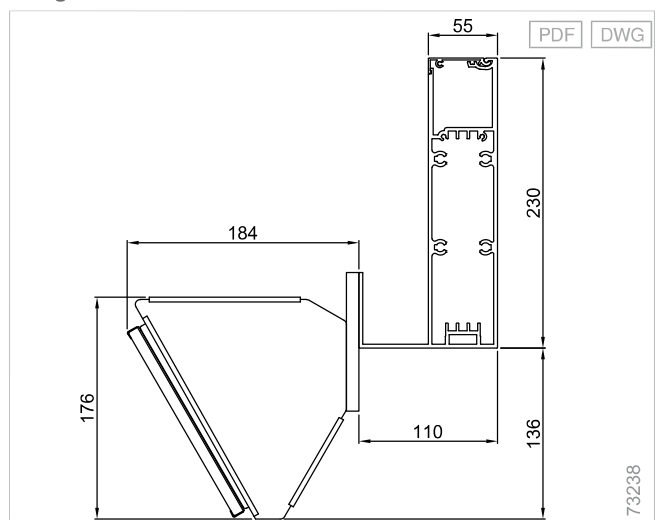
## Fixing on concrete foundation



## Fixing on concrete foundation (corner installation)



## Design radiant heater on crossbeam - L50



Planning

Slat roofs  
Lamaxa

Glass roofs  
Lamaxa

Fabric roofs  
Lamaxa

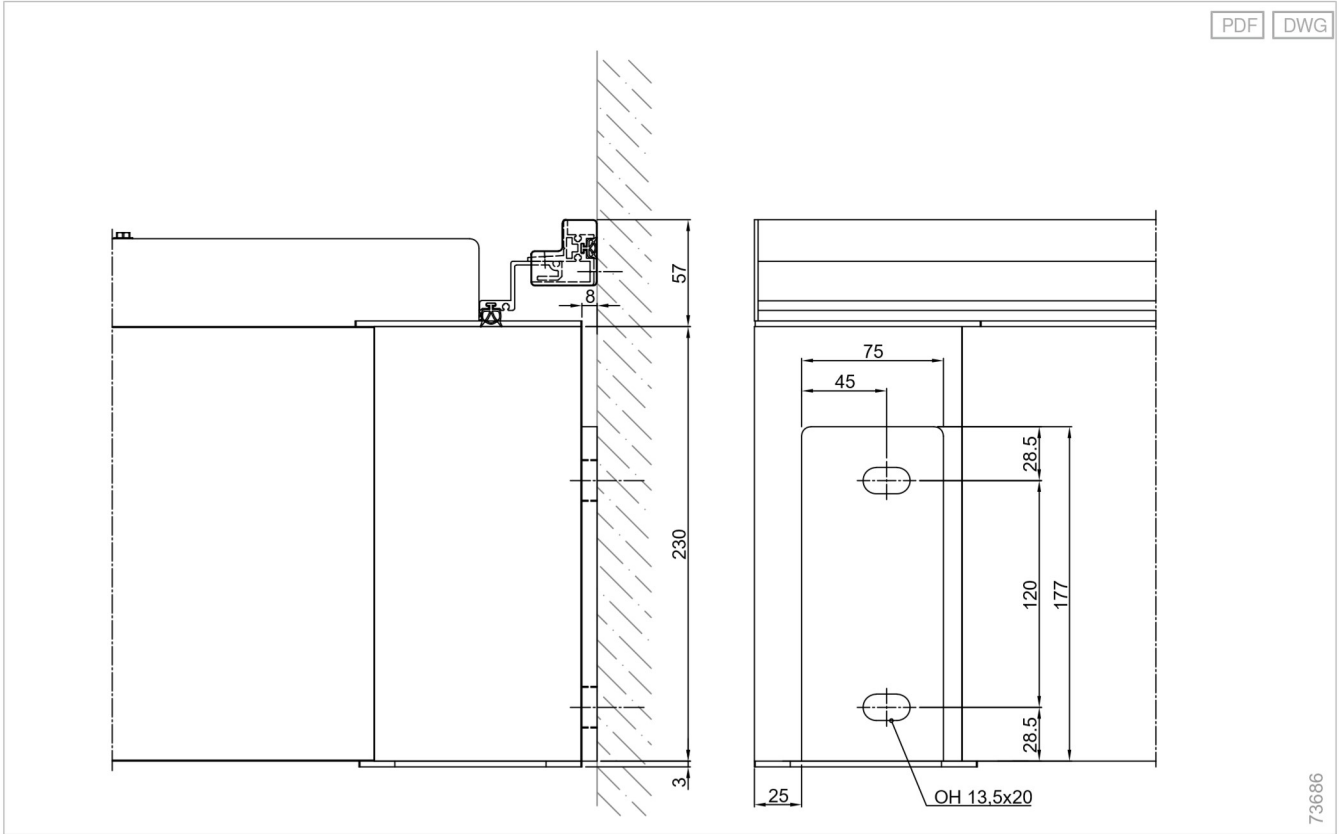
Supplementary  
accessories

Drive  
variants

Standards

Side view of wall connection - L50 Tex

PDF DWG



73686