



Slat roofs Lamaxa

Slat roof Lamaxa L70

Year-round use

Protection in all weather: Depending on the type, the incidence of light can be adjusted to several levels with the tilting and moving slats – from a fully unobstructed view of the sky all the way to a complete, weather-proof closure of the slat roof.

Dry

Dryness guaranteed: Controlled drainage through integrated rain gutters and drainage in the pole.

Customisable

Can be individually equipped according to personal preference with diverse, optional extras suitable for retrofitting such as integrated LED and RGB lighting, integrated awnings with easyZIP guidance, sash frames or radiant heaters.

Construction limit values

Maximum order width	4750 mm
Maximum order length	6330 mm
Maximum order area	28.75 m ²

Order here

myWAREMA

[Art.-Nr. 2036188](#)

Order form

<https://docs.warema.com/fi/2022874.pdf>

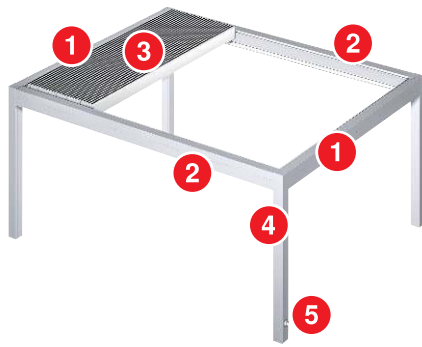
WAREMA tools

[Sun Shading Planner](#)

[see "Navigating the document", Page 5](#)

Components

Slat roof Lamaxa L70



1	Crossbeam with motor	4	Pole
2	Crossbeam with tilting mechanics	5	Drainage in pole
3	Slats		

Slat

Slat - L60/L70

Material	Aluminium, extruded
Surface	Powder-coated
Width	242 mm
Height	48 mm
Swivelling range	0 - 135 °

Remarks:

Electrical distribution on crossbeam 1 or in the pole: 0° to 135°

Electrical distribution on crossbeam 3: 0° to 125°

Pole

Pole - L60/L70

Material	Aluminium, extruded
Surface	Powder-coated
Material, notes	Two-piece
Width	155 mm
Height	155 mm

Installation options:

- Ground installation with frost-proof, on-site foundation.
- The grout for filling the clearance is not included in the scope of delivery when threaded rods are used.

Floor recess and separation cut:

- For a floor recess, we recommend the use of a separation cut in the inspection parts to allow for inspection without dismantling the floor.
- If the floor recess does not have a separation cut, the easyZIP guidance inlays and the integrated LED strips reach the bottom edge of the pole profile.
- Floor recesses with a separation cut must be at least 60 mm.

Pole, optional

Pole guide rails- L60/L70

Material	Aluminium, extruded
Surface	Powder-coated
Material, notes	Two-piece
Width	155 mm
Height	155 mm

If easyZIP awning is installed in a field in which a wall console is installed, a separate pole is required below the wall console. Drainage through guide rail poles possible.

Base plate

Base plate - external L60/L70

Material	Galvanised steel
Surface	Plain
Optional surface	Powder-coated
Width	355 mm
Height	355 mm

Base plate, optional

Base plate - corner installation L60/L70

Material	Galvanised steel
Surface	Plain
Optional surface	Powder-coated
Width	255 mm
Height	255 mm

Base plate - internal L60/L70

Material	Galvanised steel
Surface	Plain
Optional surface	Powder-coated
Width	155 mm
Height	155 mm

The internal base plate is suited to recess installation.

Since the material thickness is generally visible, the internal base plate should be coated if there is no floor recess.

Designs with sash frames or downward drainage through the base plate are not possible in combination with the internal base plate.

Base plate - recess installation N1 L60/L70

Material	Galvanised steel
Surface	Plain
Optional surface	Powder-coated
Width	255 mm
Height	355 mm

Base plate - recess installation N2 L60/L70

Material	Galvanised steel
Surface	Plain
Optional surface	Powder-coated
Width	355 mm
Height	255 mm

Crossbeam

Crossbeam with motor - L60/L70

Material	Aluminium, extruded
Surface	Powder-coated
Width	187 mm
Height	285 mm

Crossbeam with tilting mechanism - L60/L70

Material	Aluminium, extruded
Surface	Powder-coated
Width	243 mm
Height	285 mm

Splash guard - L60/L70

Material	Stainless steel
Surface	Plain

Reduces the impact of the raindrops and minimises the amount of water splashing up or over.

Crossbeam, optional

Motor operation distribution on the crossbeam, field 1 - L60/L70

Material	Aluminium, extruded
Surface	Powder-coated
Width	123 mm
Height	157 mm

Motor operation distribution on the crossbeam, field 3 - L60/L70

Material	Aluminium, extruded
Surface	Powder-coated
Width	94 mm
Height	145.5 mm

Drainage

Drainage in pole - L60/L70

- Drainage through drainpipe in pole
- In order to achieve rain class 2 with closed slats, at least one drainage point is required for a unit size smaller than 16 m² and at least two drainage points for a unit size larger than 16 m². If the minimum number of drainage points is not observed, rain class 2 is not achieved.

Position of drainage outlet:

- Possible on every pole
- Drainage and electronics/connecting lines must always be installed in separate poles.
- On the outsides of the poles or downward
- Min. height.: 150 mm
- Max. height: 250 mm below the headroom

Note: Downward drainage through base plate:

When planning and measuring, please note that the concrete foundation must be very precisely manufactured if downward drainage through the base plate is required. The drainage does not sit centrally in the base plate.

Wall connection profile, optional

Wall connection profile with small rain hood

Material	Aluminium, extruded
Surface	Powder-coated
Width	54 - 65 mm
Height	48 mm
Dimensions, notes	The adjustment range in the depth between rain hood and wall connection profile is up to 11 mm.

The on-site sealing is the responsibility of the specialist partner; if necessary, the commissioning of a plumbing company is recommended.

Field of application:

- Terrea K50
- Terrea K70
- Perea P20 (up to an angle of 10°)
- Lamaxa L50/L60/L70

Console, optional

Wall console - Lamaxa L60/L70

Material	Stainless steel
Surface	Powder-coated
Width	130 mm
Height	180 mm
Depth	150 mm

- Use in corner as pole replacement.
- A maximum of two poles can be replaced by wall consoles.
- For a concrete mounting substructure; adapter plates are required for other substructures.
- Electrical distribution takes place on the crossbeam if there are fewer than four poles (field 1 or field 3). This also applies to Lamaxa Line.
- The wall console protrudes 10 mm beyond the order width and order length. This results in a gap of 10 mm between the crossbeam and the wall.
- For inner angle wall consoles, the lateral corner area is not covered by profiles.

Drive variants

- Motor

Motor

- WMS-LP (WMS)

+ see "Drive variants", Page 235

Colours

- WAREMA Colour World, Individual category, fine texture surface quality
- WAREMA Colour World, Highlight category, fine texture surface quality
- WAREMA Colour World, Variation category, fine texture surface quality

Colours, optional:

- WAREMA Colour World

+ see "WAREMA colour world", Page 10

Notes

Limit position learning:

The WAREMA Smart programming cable is required to set the motor limit positions.

Position of electrical distribution:

- On slat roofs with 4 poles within one pole or on the crossbeam in field 1 or 3
- On series-mounted units and free-models on the crossbeam in field 1 or 3
- If there are less than 4 corner poles, electrical distribution in the poles can only be selected if the minimum number of drainage points is ensured. Otherwise, the electrical distribution is performed on the crossbeam

Construction limit values

Configuration variants	Minimum order width	Maximum order width	Minimum order length	Maximum order length	Maximum order area	Minimum headroom	Maximum headroom
Slat							
Slat - L60/L70	2500 mm	4750 mm	2000 mm	6000 mm	28,50 m ²	2350 mm	2700 mm
Slat - L60/L70	2500 mm	4600 mm	2000 mm	6250 mm	28,75 m ²	2350 mm	2700 mm
Slat - L60/L70	2500 mm	4500 mm	2000 mm	6330 mm	28,50 m ²	2350 mm	2700 mm

The following points must be taken into account in relation to maximum construction limit values:

- Integrated awnings with easyZIP guidance can only be implemented on 6251 mm models and above through the use of additional poles.

Pole height:

- Minimum height for poles with electrical distribution in the case of maximum equipment: 2350 mm
- Minimum height for poles with drainage: 1200 mm
- Minimum height for poles without electrical distribution and without drainage: 550 mm
- Maximum pole height (headroom plus floor recess) is ≤ 3000 mm.

Supplementary accessories

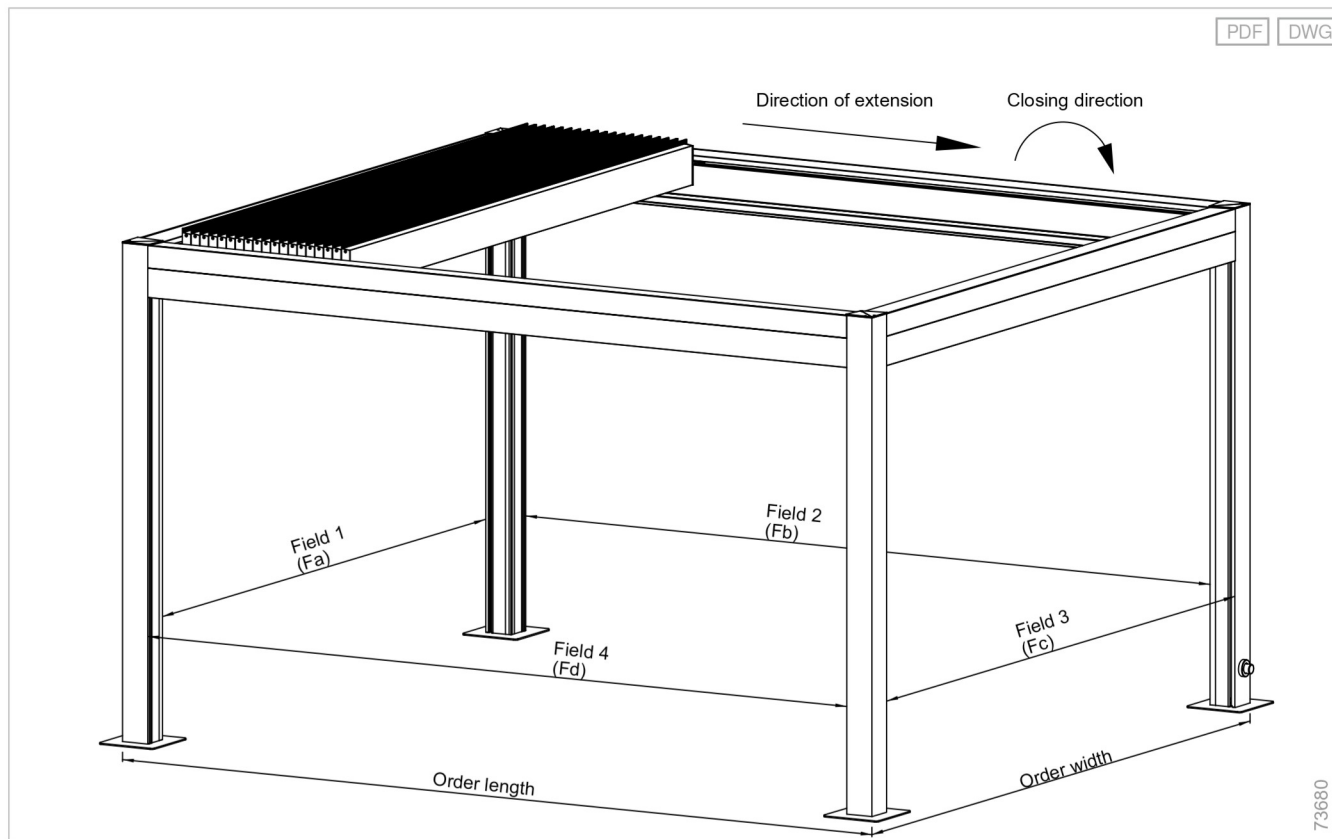
- Smart Living connect package - Lamaxa
- Smart Living control package - Lamaxa
- Design radiant heater
- Lamaxa lighting
- Integrated awnings with easyZIP guidance - L60/L70
- Additional pole - L60/L70
- Offset pole - L60/L70
- Glass sliding system SL20e
- Sliding shutters - L50/L60/L70
- Power socket

+ see "Supplementary accessories", Page 173

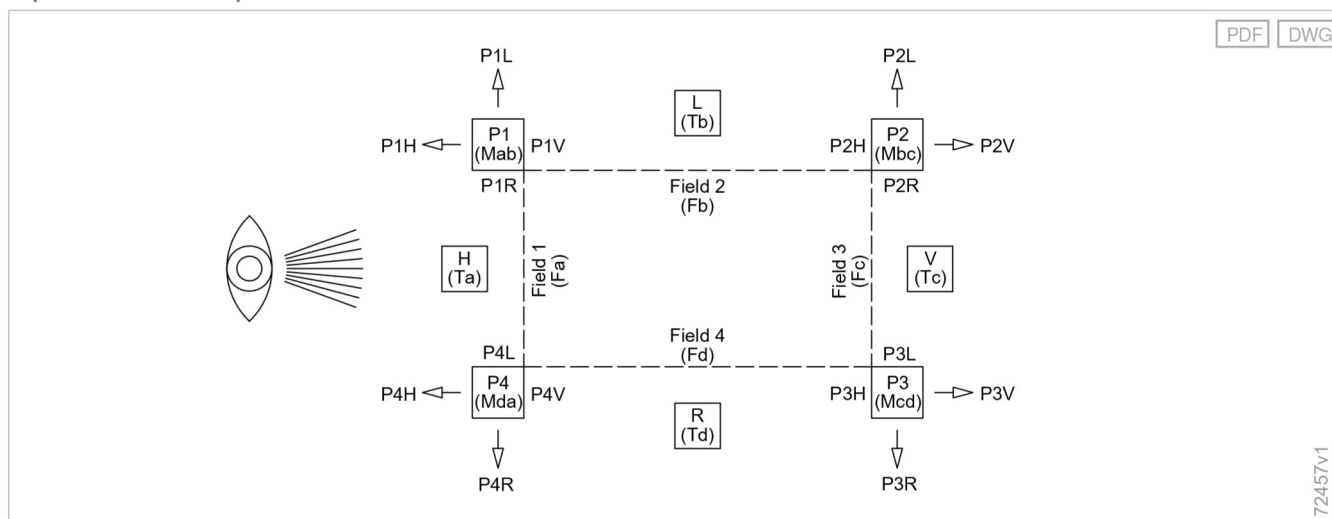
Dimension determination

The headroom of each pole can be ordered individually (e.g. in case of a sloping finished floor).

Field definition - L70

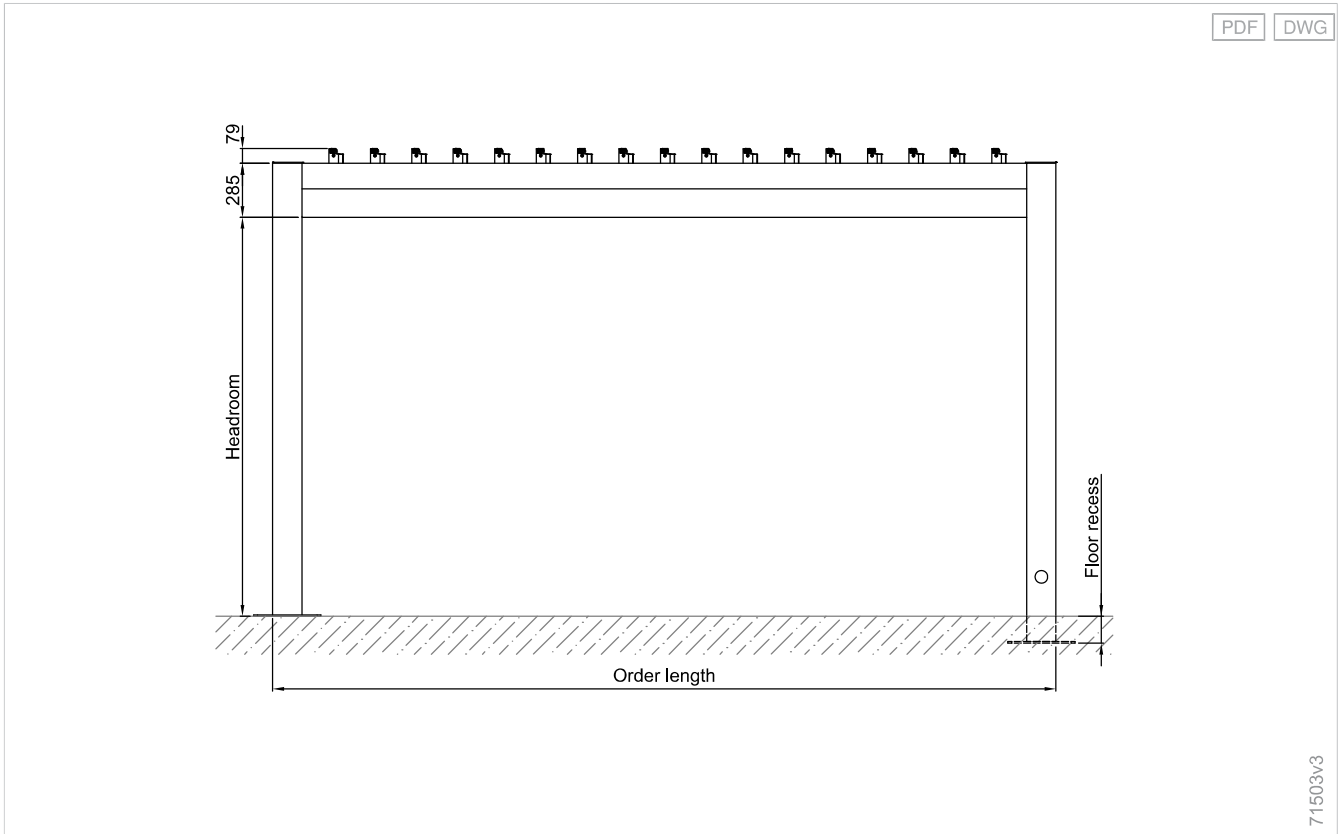


Top view of fields and positions - L60/L70



P	Position	H	Rear
L	Left	F	Field
R	Right	M	Point of installation (pole or wall connection)
V	Front	T	Crossbeam

Side view with open slats - L60/L70



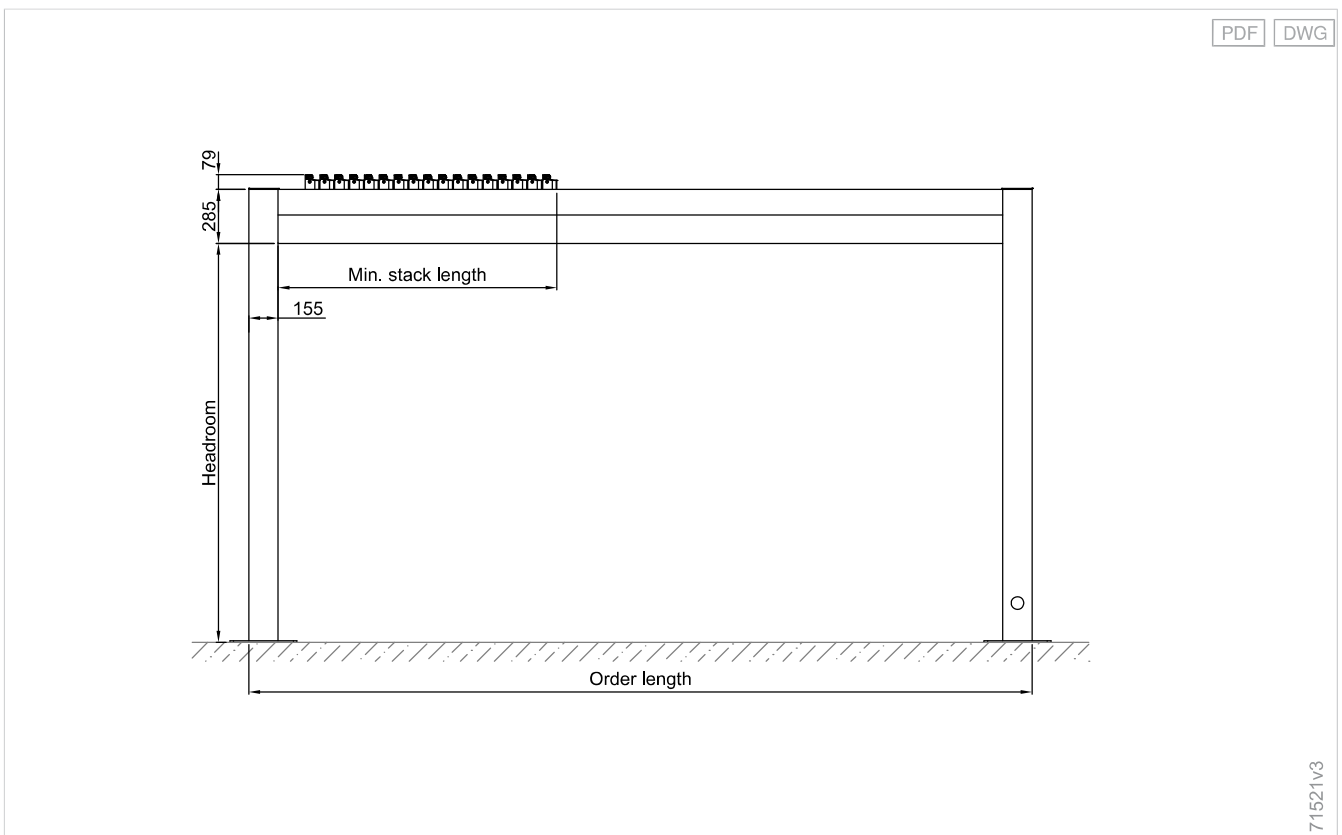
Planning

Slat roofs
Lamaxa

Glass roofs
Lamaxa

When closed, the slats do not protrude beyond the crossbeam.

Side view with retracted slats - L70



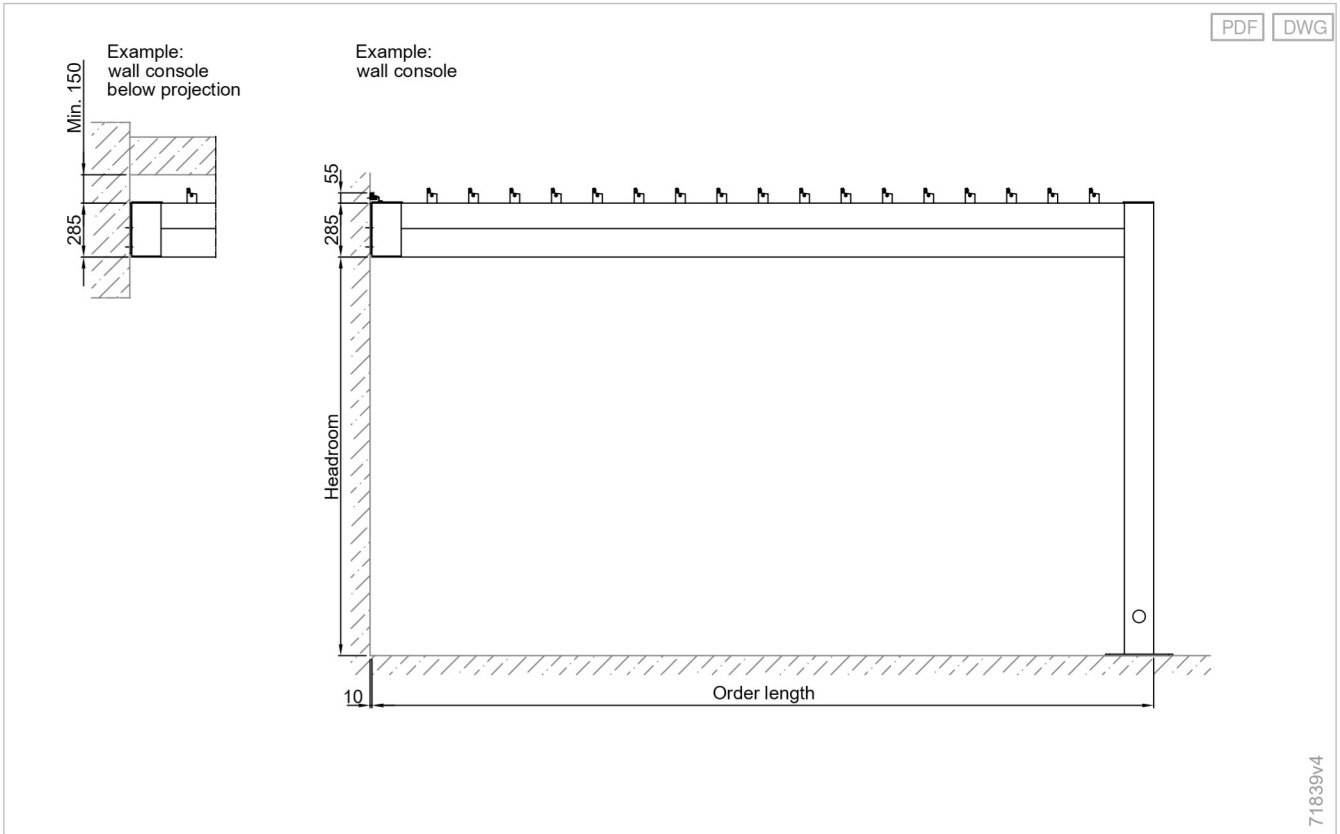
Fabric roofs
Lamaxa

Supplementary
accessories

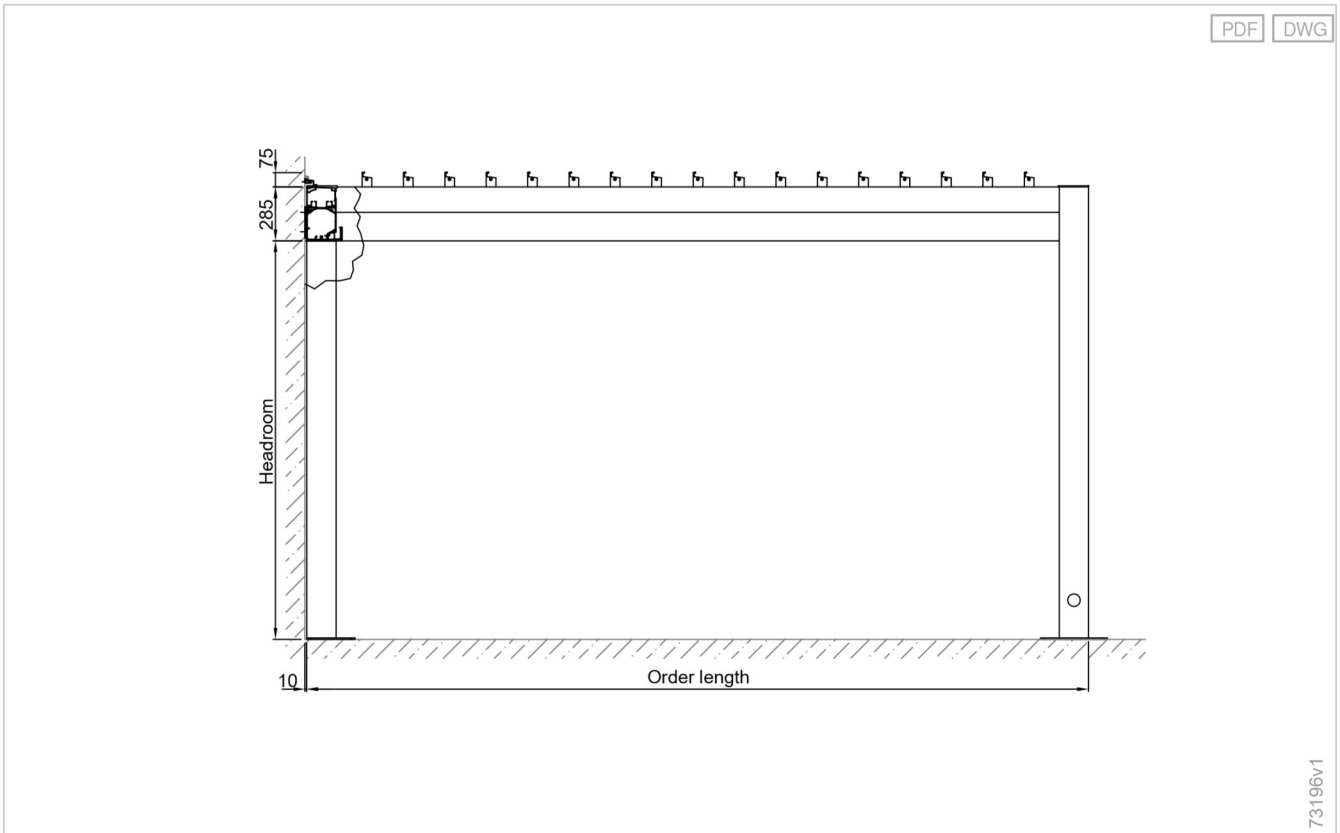
Drive
variants

Standards

Side view of wall connection with wall console - L60/L70

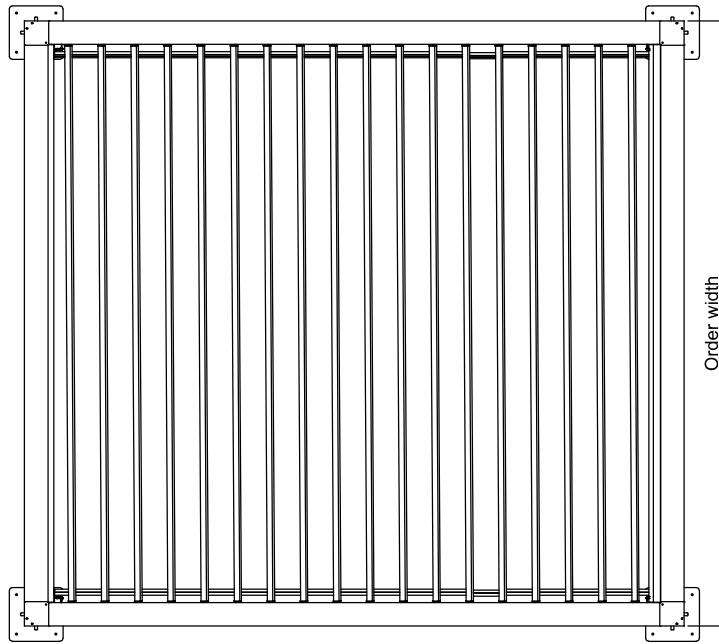


Side view of wall connection with wall console and guide rail poles - L60/L70



Top view for individual units - L60/L70

PDF DWG



71505v2

Planning

Slat roofs
Lamaxa

Glass roofs
Lamaxa

Fabric roofs
Lamaxa

Supplementary
accessories

Drive
variants

Standards

Weight assessment

Weight assessment for roof systems

Order length	Order width					
	2500 mm	2501 - 3000 mm	3001 - 3500 mm	3501 - 4000 mm	4001 - 4500 mm	4501 - 4750 mm
2000 - 2500 mm	480 kg	512 kg	545 kg	577 kg	610 kg	626 kg
2501 - 3000 mm	514 kg	550 kg	586 kg	622 kg	658 kg	676 kg
3001 - 3500 mm	565 kg	606 kg	648 kg	689 kg	730 kg	751 kg
3501 - 4000 mm	599 kg	644 kg	689 kg	734 kg	778 kg	801 kg
4001 - 4500 mm	633 kg	681 kg	730 kg	778 kg	826 kg	851 kg
4501 - 5000 mm	667 kg	719 kg	771 kg	823 kg	875 kg	901 kg
5001 - 5500 mm	718 kg	775 kg	833 kg	890 kg	947 kg	975 kg
5501 - 6000 mm	738 kg	798 kg	857 kg	916 kg	975 kg	1004 kg
6001 - 6330 mm	759 kg	820 kg	880 kg	941 kg	1002 kg	1032 kg

Quantity determination

Number of slats

Order length	Number of slats	Stack length
2000 mm	7	487 mm
2171 mm	8	542 mm
2390 mm	9	597 mm
2609 mm	10	652 mm
2828 mm	11	707 mm
3047 mm	12	762 mm
3266 mm	13	817 mm
3485 mm	14	872 mm
3704 mm	15	927 mm
3923 mm	16	982 mm
4142 mm	17	1037 mm
4361 mm	18	1092 mm
4580 mm	19	1147 mm
4799 mm	20	1202 mm
5018 mm	21	1257 mm
5237 mm	22	1312 mm
5456 mm	23	1367 mm
5675 mm	24	1422 mm
5894 mm	25	1477 mm
6113 mm	26	1532 mm

Order length:

- The order length in the table is the dimension with the smallest possible length equalization plates and hence corresponds to the optimum order dimension (except order length 2000 mm).
- With motor operation distribution on the crossbeam (field 1 or 3), the optimum order length increases by 50 mm.

Stack length:

- The stack length refers to motor operation distribution in the pole or on the crossbeam in field 3.
- If the motor operation distribution is realized on the crossbeam in field 1, the stack length increases by 44 mm.

Optimal order length, electrical distribution in the crossbeam

1 length compensation plate on the opposing side of the electrical distribution crossbeam

Optimal order length in mm (from)	Order length in mm (up to)	Number of slats
2000	2089	7
2221	2308	8
2440	2527	9
2659	2746	10
2878	2965	11
3097	3184	12
3316	3403	13
3535	3622	14
3754	3841	15
3973	4060	16
4192	4279	17
4411	4498	18
4630	4717	19
4849	4936	20
5068	5155	21
5287	5374	22
5506	5593	23
5725	5812	24
5944	6031	25
6163	6250	26

Optimum order lengths = order dimensions with the smallest possible length equalisation plates (except order length 2000 mm).

Optimal order length, electrical distribution in the crossbeam

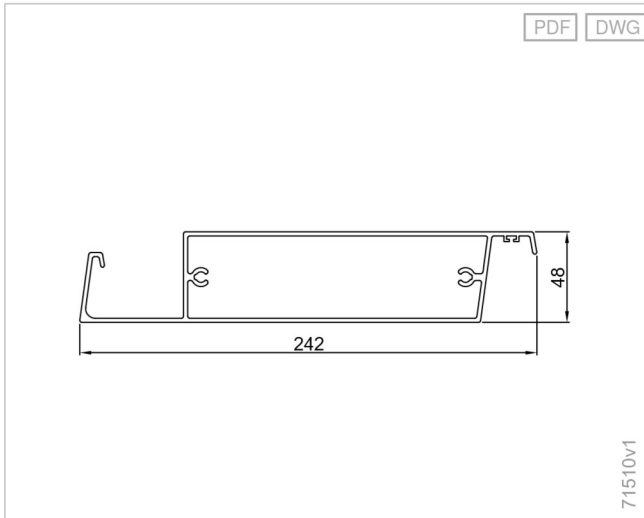
One length equalisation plate each on crossbeams 1 and 3

Optimal order length in mm (from)	Order length in mm (up to)	Number of slats
2090	2220	7
2309	2439	8
2528	2658	9
2747	2877	10
2966	3096	11
3185	3315	12
3404	3534	13
3623	3753	14
3842	3972	15
4061	4191	16
4280	4410	17
4499	4629	18
4718	4848	19
4937	5067	20
5156	5286	21
5375	5505	22
5594	5724	23
5813	5943	24
6032	6162	25
6251	6330	26

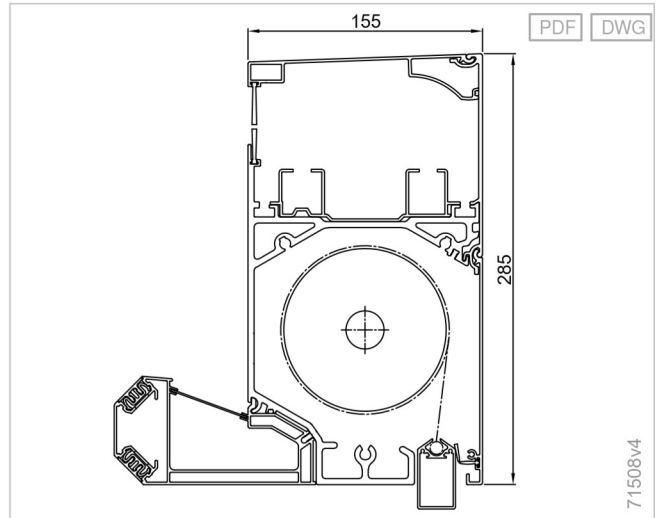
With the optimal order lengths as per the table, there is a length compensation plate for length compensation on both crossbeam 1 and crossbeam 3 in the product version with electrical distribution on the crossbeam.

Details

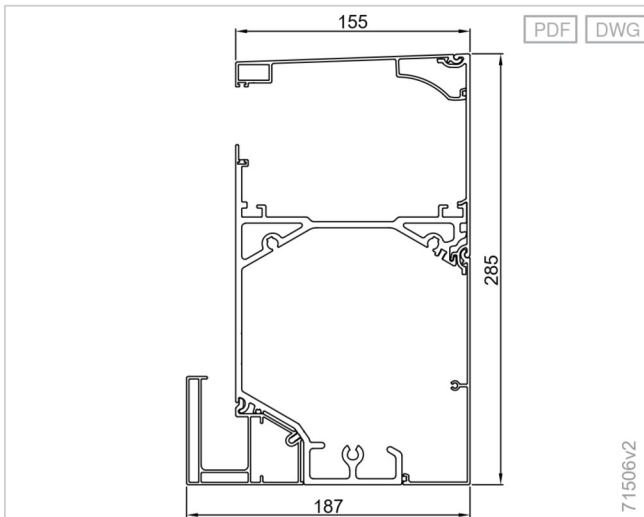
Slat - L60/L70



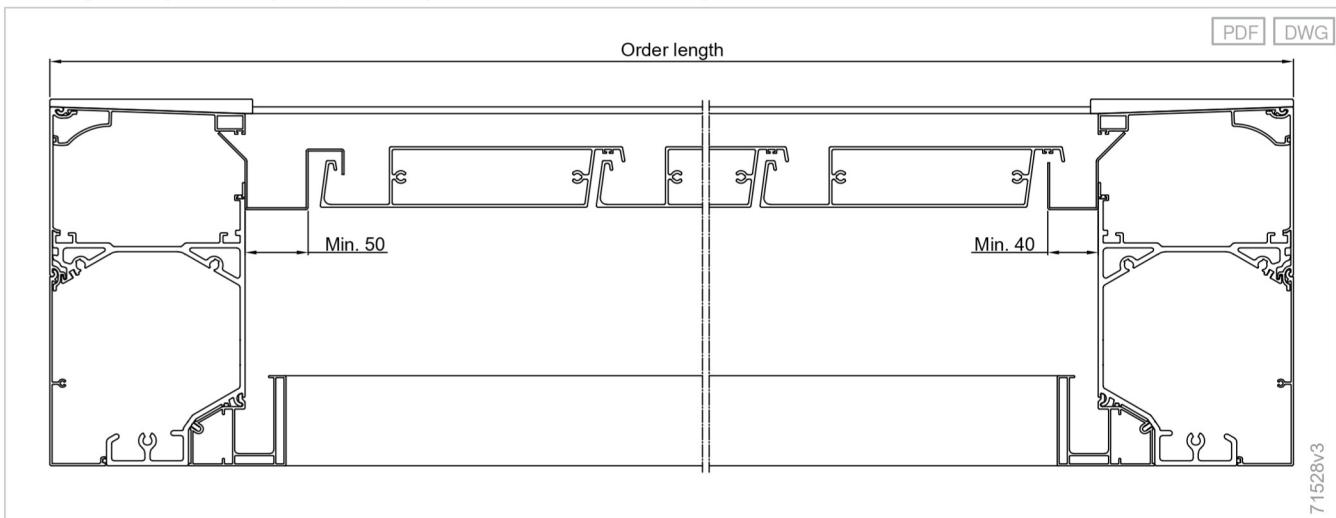
Crossbeam with tilting mechanism - L60/L70



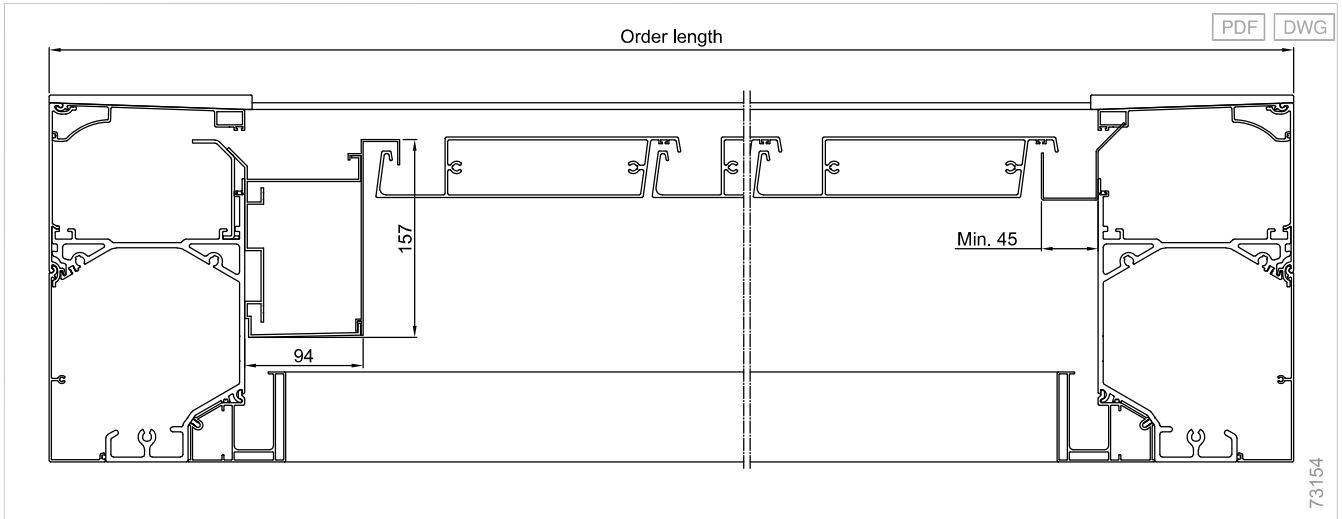
Crossbeam with motor - L60/L70



Two length compensation plates, motor operation distribution in the pole- L60/L70



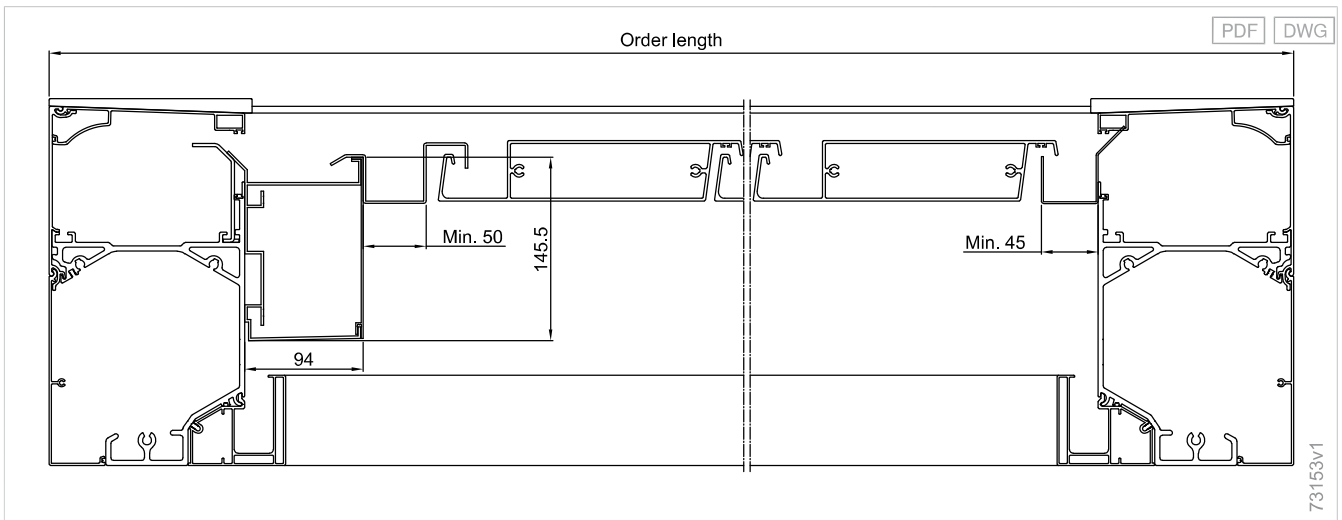
One length compensation plate, motor operation distribution on the crossbeam (field 1) - L60/L70



Planning

Slat roofs
Lamaxa

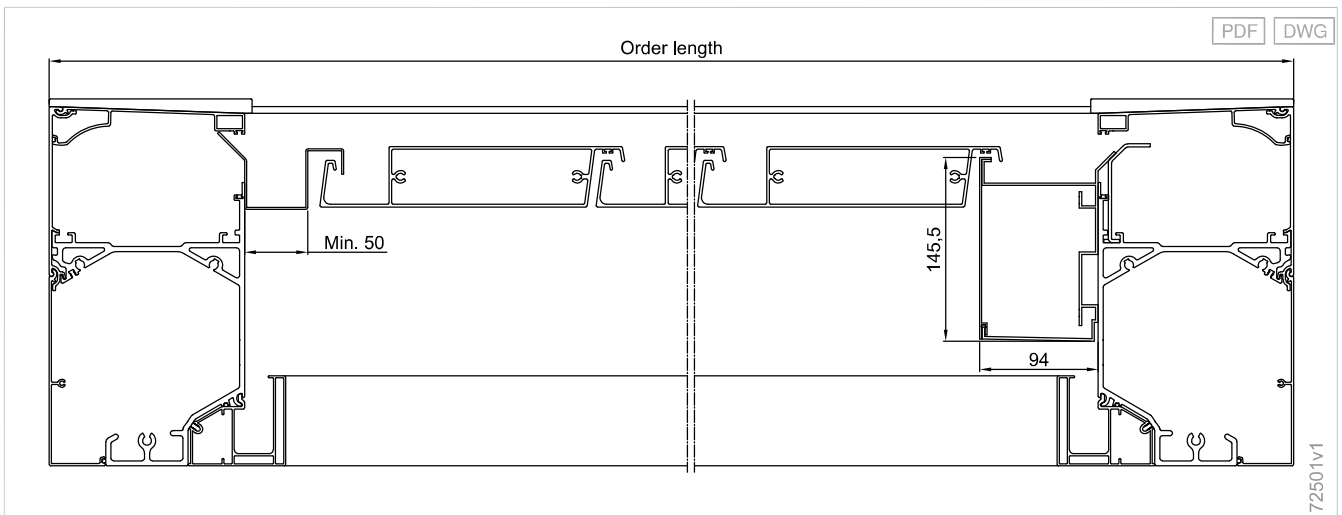
Two length compensation plates, motor operation distribution on the crossbeam (field 1) - L60/L70



Glass roofs
Lamaxa

Fabric roofs
Lamaxa

One length compensation plate, motor operation distribution on the crossbeam (field 3) - L60/L70

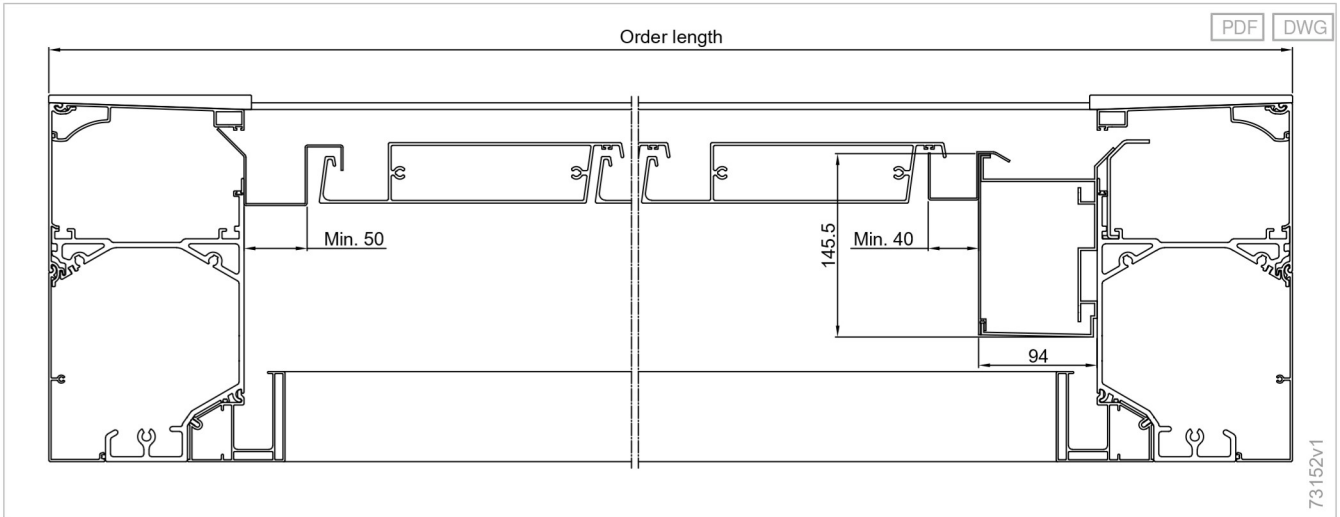


Supplementary
accessories

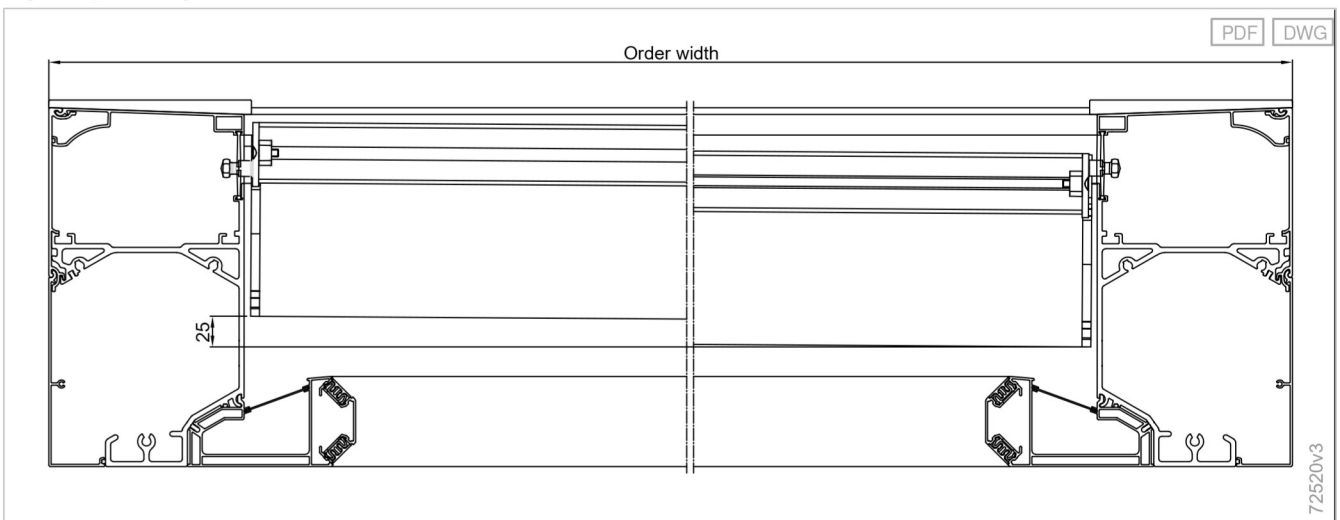
Drive
variants

Standards

Two length compensation plates, motor operation distribution on the crossbeam (field 3) - L60/L70

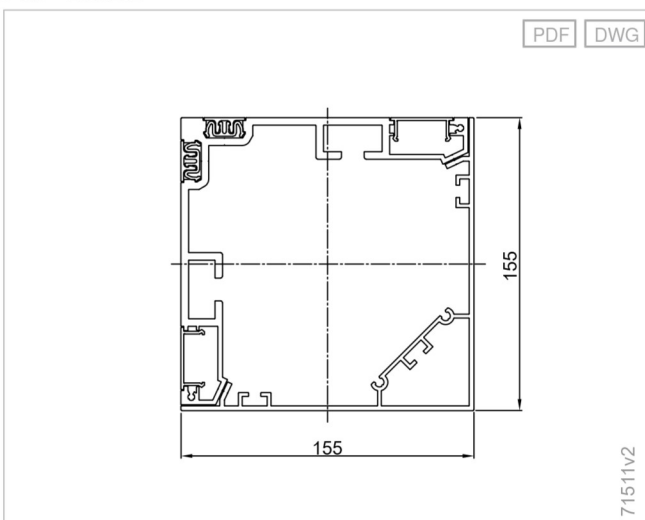


Top view, motor operation distribution on the crossbeam - L60/L70

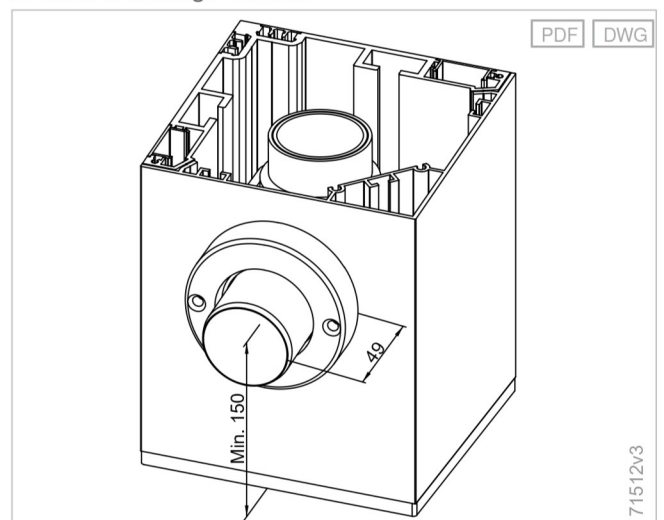


Attention: The motor operation distribution is assigned parallel to the slats, resulting in a height offset between field 2 and field 4.

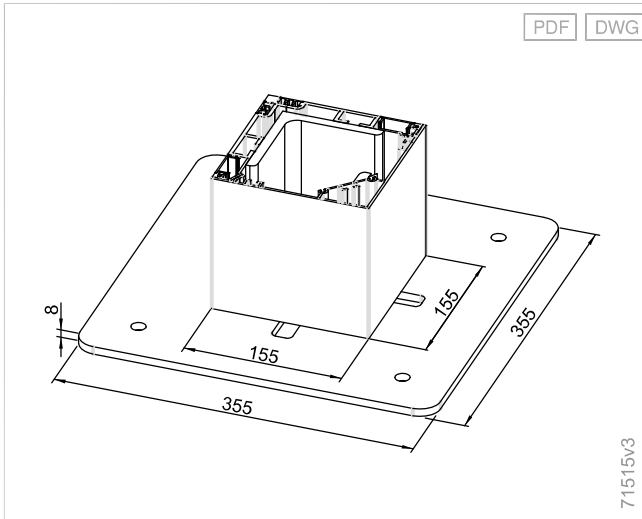
Pole - L60/L70



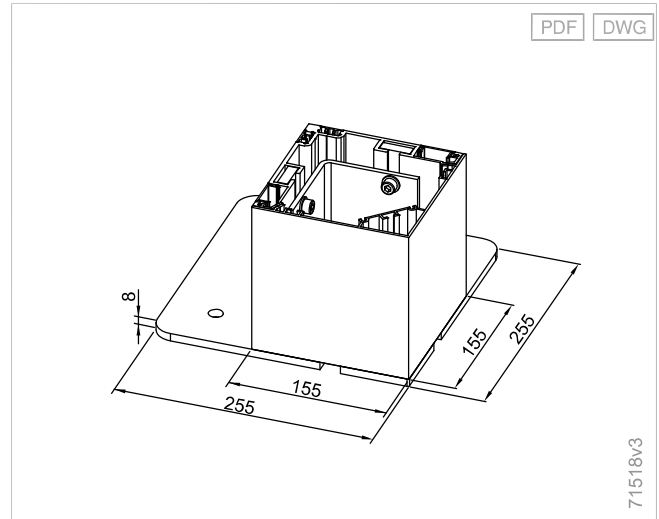
Position of drainage - L60/L70



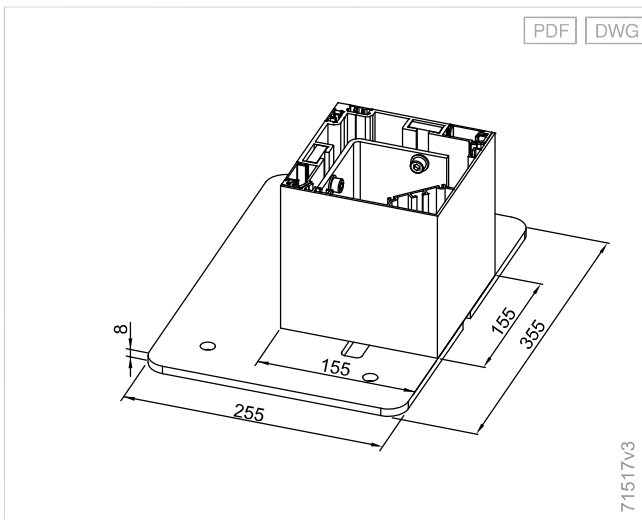
External base plate - L60/L70



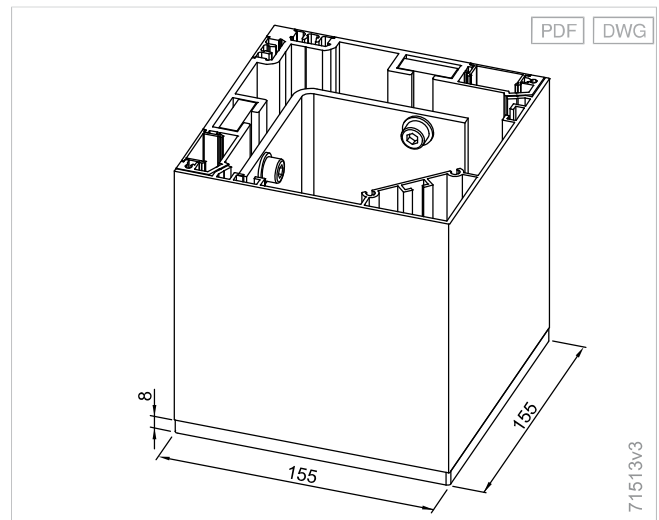
Corner installation base plate - L60/L70



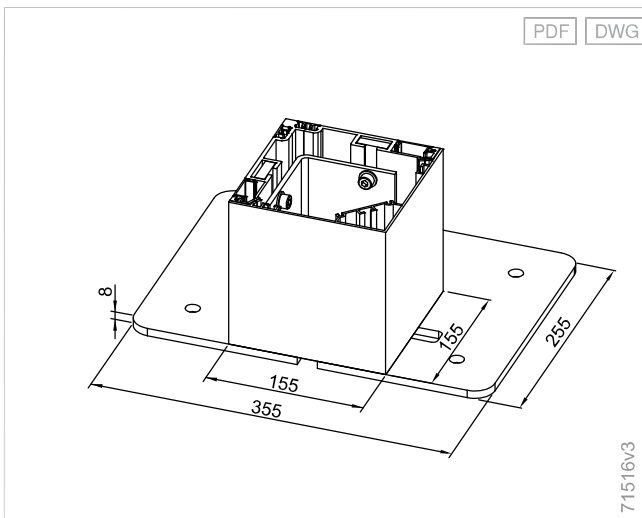
Recess installation base plate N1 - L60/L70



Internal base plate - L60/L70



Recess installation base plate N2 - L60/L70



Planning

Slat roofs
Lamaxa

Glass roofs
Lamaxa

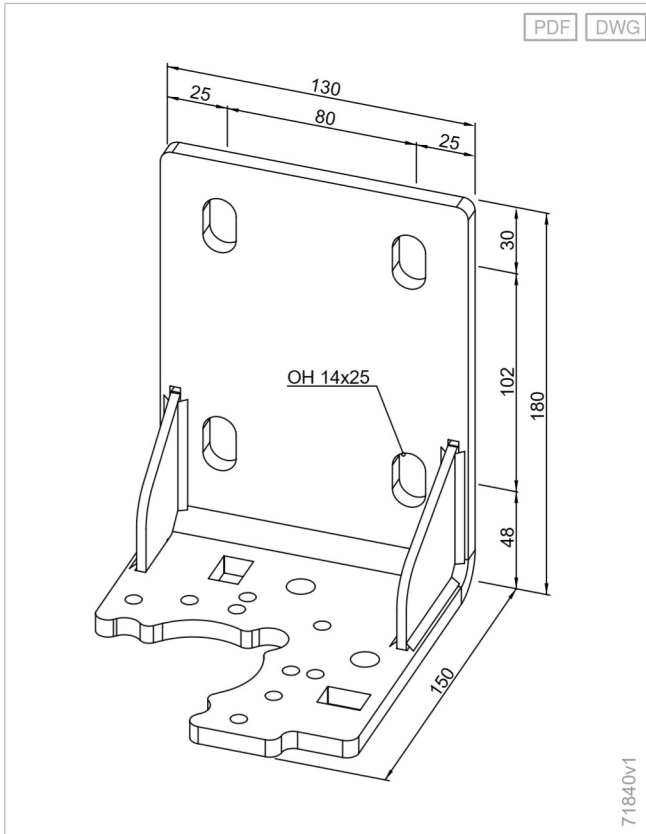
Fabric roofs
Lamaxa

Supplementary
accessories

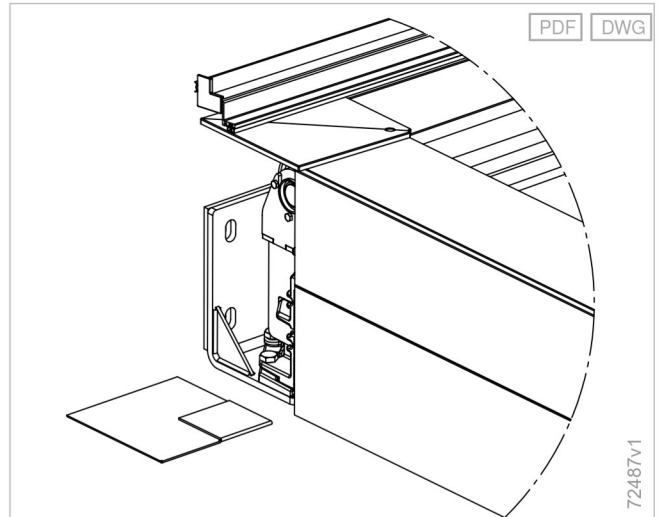
Drive
variants

Standards

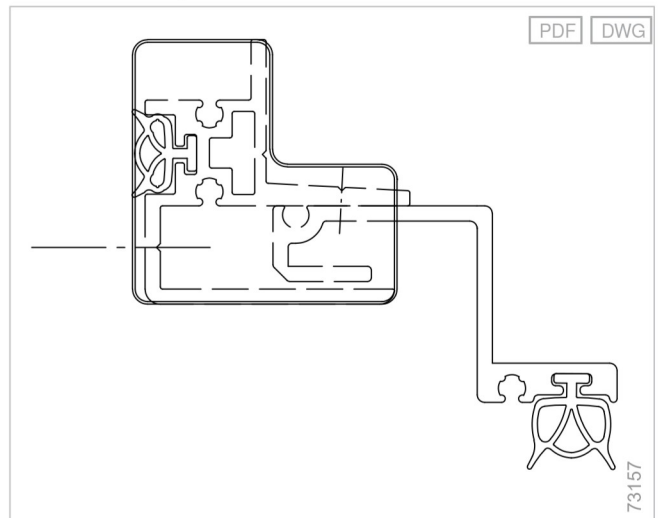
Wall connection console - L60/L70



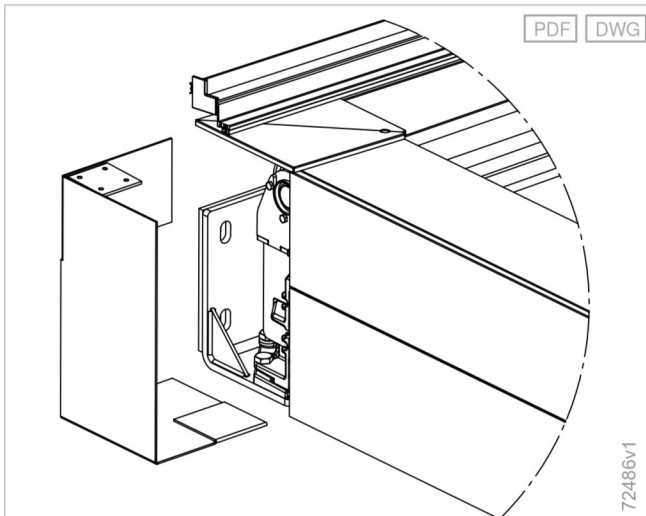
Inner angle wall console facing - L60/L70



Wall connection profile with small rain hood - L50/L60/L70



Lateral wall console facing - L60/L70



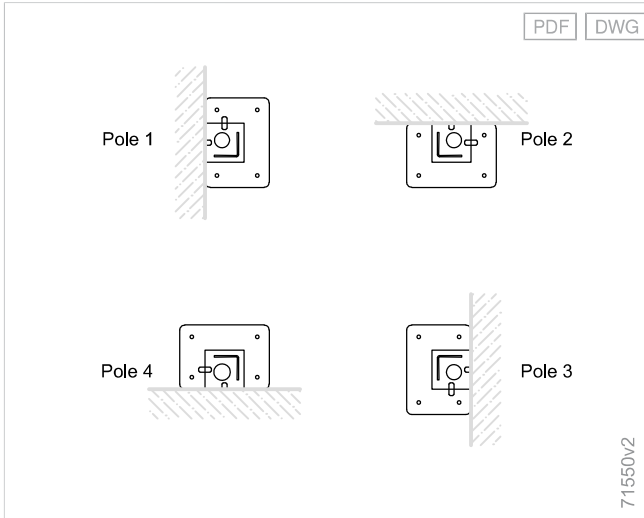
Additional product information

Pole installation options

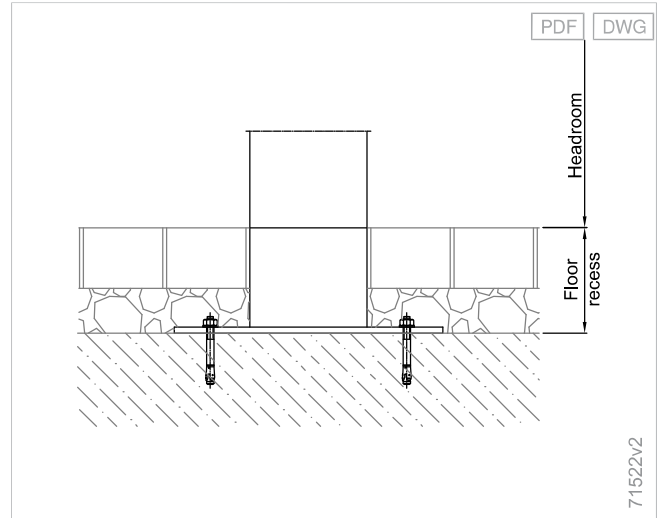
Ground installation with frost-proof on-site foundation.

Mounting examples

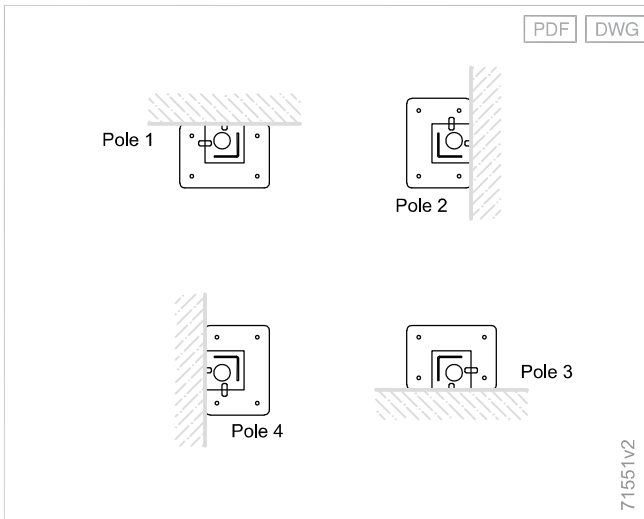
Application of base plate N1



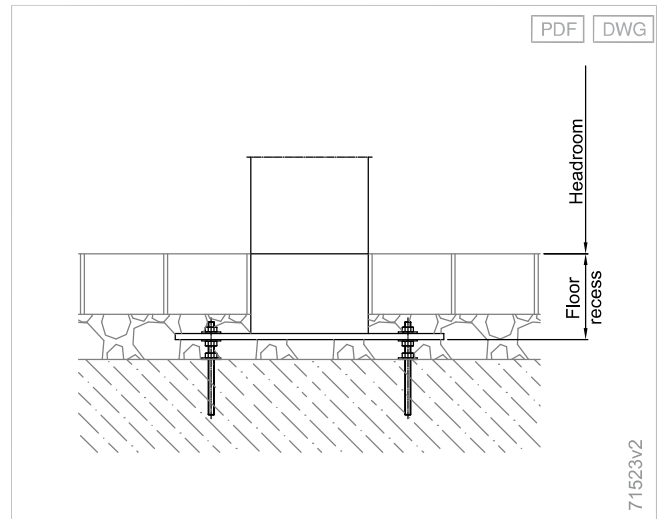
Fixing on concrete foundation (no clearance)



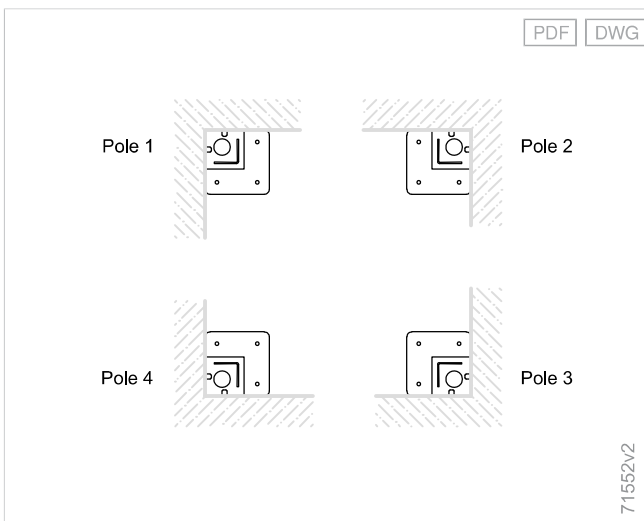
Application of base plate N2



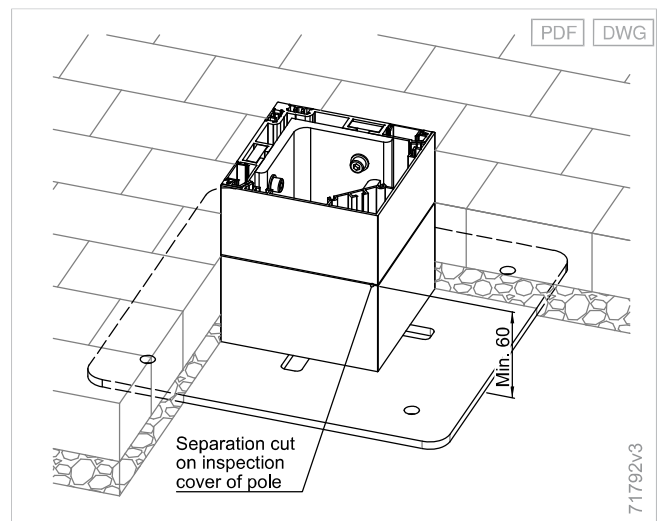
Fixing on concrete foundation (with clearance)



Application of base plate for corner installation



Floor recess with separation cut - L60/L70



Planning

Slat roofs
Lamaxa

Glass roofs
Lamaxa

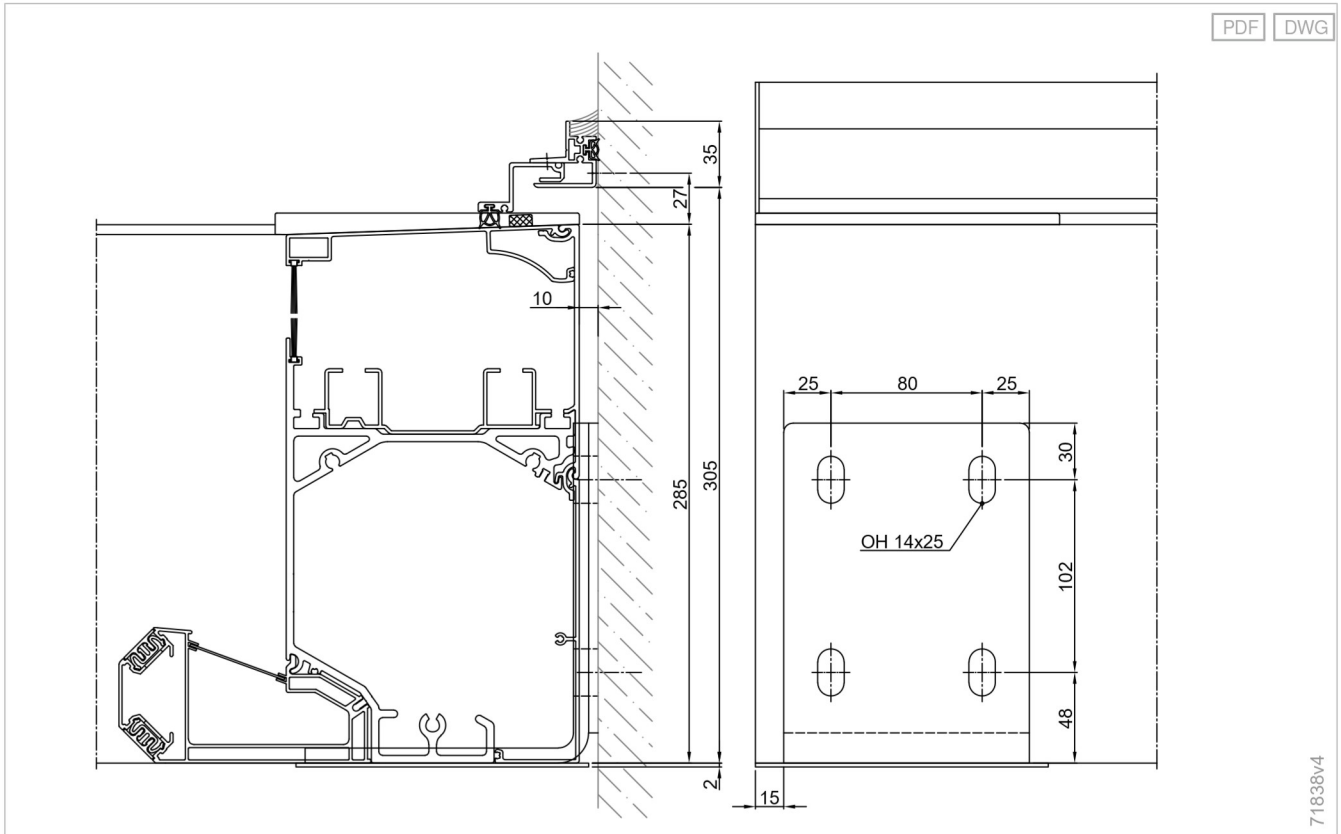
Fabric roofs
Lamaxa

Supplementary
accessories

Drive
variants

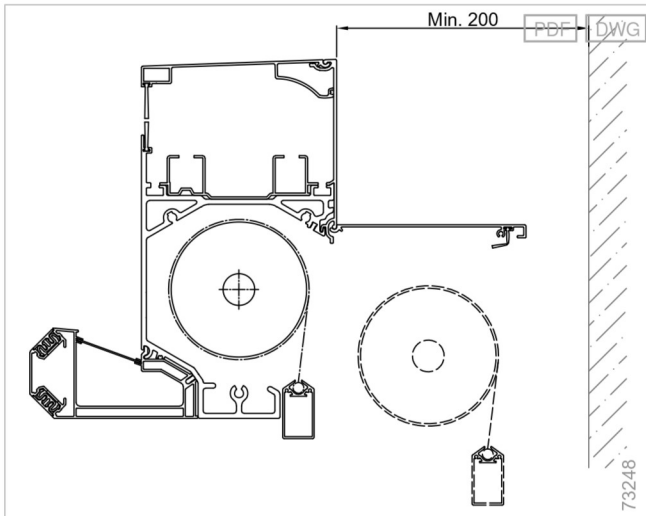
Standards

Side view of wall connection - L60/L70



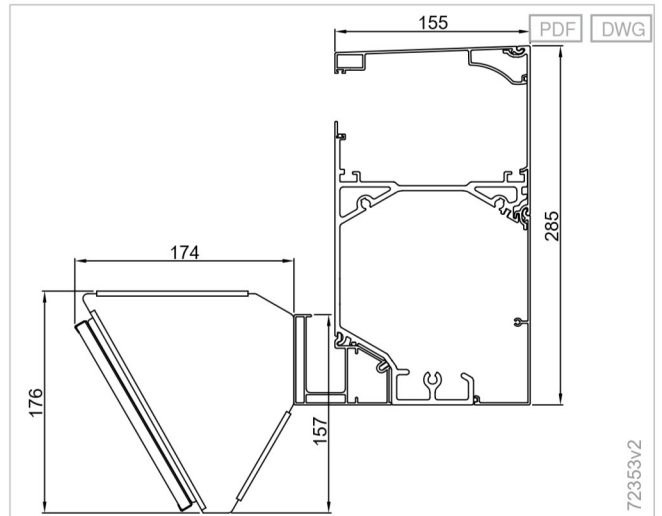
71838v4

Refurbishment of integrated awnings with easyZIP guidance



73248

Design radiant heater on crossbeam - L60/L70



72353v2

A maximum of two radiant heaters or one radiant heater plus one power socket per Lamaxa can be installed.



Slat roofs Lamaxa

Slat roof Lamaxa L70 Free

Year-round use

Protection in all weather: Depending on the type, the incidence of light can be adjusted to several levels with the tilting and moving slats – from a fully unobstructed view of the sky all the way to a complete, weather-proof closure of the slat roof.

Integrated

Harmonious integration into the existing architecture: The Lamaxa L70 Free can be completely integrated into the existing architecture or installed as a surface-mounted Lamaxa variant.

Create space

Additional living space outdoors: Slat roofs Lamaxa L70 Free extend your living space to the outdoors - without poles blocking out the view.

Construction limit values

Maximum order width	4500 mm
Maximum order length	6000 mm
Maximum order area	27 m ²

Order here

myWAREMA

[Art.-Nr. 2036187](#)

Order form

<https://docs.warema.com/fi/2034991.pdf>

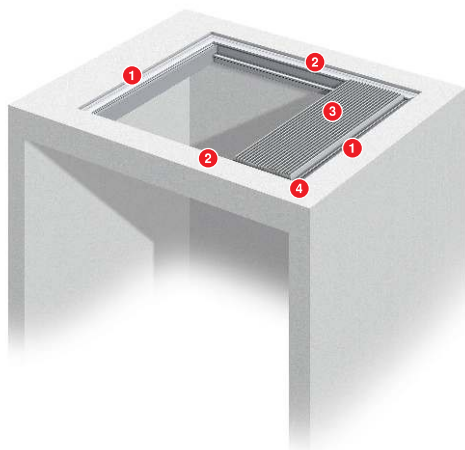
WAREMA tools

[Sun Shading Planner](#)

[see "Navigating the document", Page 5](#)

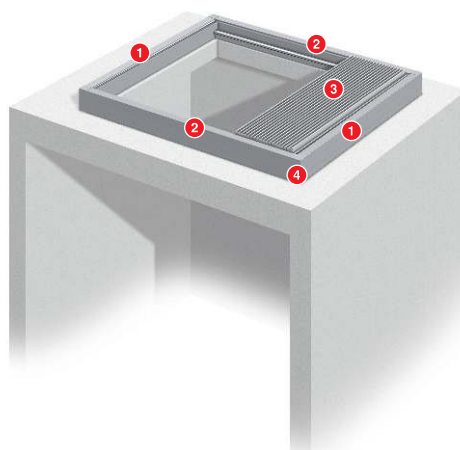
Components

Slat roof Lamaxa L70 Free - integrated installation



- | | | | |
|---|----------------------------------|---|----------|
| 1 | Crossbeam with motor | 3 | Slats |
| 2 | Crossbeam with tilting mechanism | 4 | Drainage |

Slat roof Lamaxa L70 Free - surface-mounted installation



- | | | | |
|---|----------------------------------|---|----------|
| 1 | Crossbeam with motor | 3 | Slats |
| 2 | Crossbeam with tilting mechanism | 4 | Drainage |

Slat

Slat - L60/L70

Material	Aluminium, extruded
Surface	Powder-coated
Width	242 mm
Height	48 mm
Swivelling range	0 - 135 °

Remarks:

Electrical distribution on crossbeam 1 or in the pole: 0° to 135°

Electrical distribution on crossbeam 3: 0° to 125°

Crossbeam

Crossbeam with motor - L60/L70

Material	Aluminium, extruded
Surface	Powder-coated
Width	187 mm
Height	285 mm

Splash guard - L60/L70

Material	Stainless steel
Surface	Plain

Reduces the impact of the raindrops and minimises the amount of water splashing up or over.

Motor operation distribution on the crossbeam, field 1 - L60/L70

Material	Aluminium, extruded
Surface	Powder-coated
Width	123 mm
Height	157 mm

Motor operation distribution on the crossbeam, field 3 - L60/L70

Material	Aluminium, extruded
Surface	Powder-coated
Width	94 mm
Height	145.5 mm

Facing below crossbeam, integrated installation - L60/L70 Free

Material	Aluminium, folded
Surface	Powder-coated
Width	172 mm
Height	148 mm

Facing below crossbeam, surface-mounted installation - L60/L70 Free

Material	Aluminium, folded
Surface	Powder-coated
Width	155 mm
Height	142 mm

Drainage

Drainage - L60/L70 Free

- Drainage through drainpipe in the corner area or below or lateral to the crossbeam
- In order to achieve rain class 2 with closed slats, at least one drainage point is required for a unit size smaller than 16 m² and at least two drainage points for a unit size larger than 16 m². If the minimum number of drainage points is not observed, rain class 2 is not achieved.

Position of drainage:

- The drainage outlet can be located in any corner or below the crossbeam (exact information required when ordering)
- The drainpipes are faced with cover sheets

Wall connection profile, optional

Wall connection profile with small rain hood

Material	Aluminium, extruded
Surface	Powder-coated
Width	54 - 65 mm
Height	48 mm
Dimensions, notes	The adjustment range in the depth between rain hood and wall connection profile is up to 11 mm.

The on-site sealing is the responsibility of the specialist partner; if necessary, the commissioning of a plumbing company is recommended.

Field of application:

- Terrea K50
- Terrea K70
- Perea P20 (up to an angle of 10°)
- Lamaxa L50/L60/L70

Console

Console for integrated installation - L60/L70 Free

Material	Galvanised steel
Surface	Plain
Width	180 mm
Height	130 mm
Depth	120 mm

Console for surface-mounted installation - L60/L70 Free

Material	Galvanised steel
Surface	Powder-coated
Width	155 mm
Height	150 mm
Depth	155 mm

Drive variants

- Motor

Motor

- WMS-LP (WMS)

+ see "Drive variants", Page 235

Colours

- WAREMA Colour World, Individual category, fine texture surface quality
- WAREMA Colour World, Highlight category, fine texture surface quality
- WAREMA Colour World, Variation category, fine texture surface quality

Colours, optional:

- WAREMA Colour World

+ see "WAREMA colour world", Page 10

Notes

Limit position learning:

The WAREMA Smart programming cable is required to set the motor limit positions.

Supplementary accessories

- Smart Living connect package - Lamaxa
- Smart Living control package - Lamaxa
- Design radiant heater
- Lamaxa lighting

+ see "Supplementary accessories", Page 173

Construction limit values

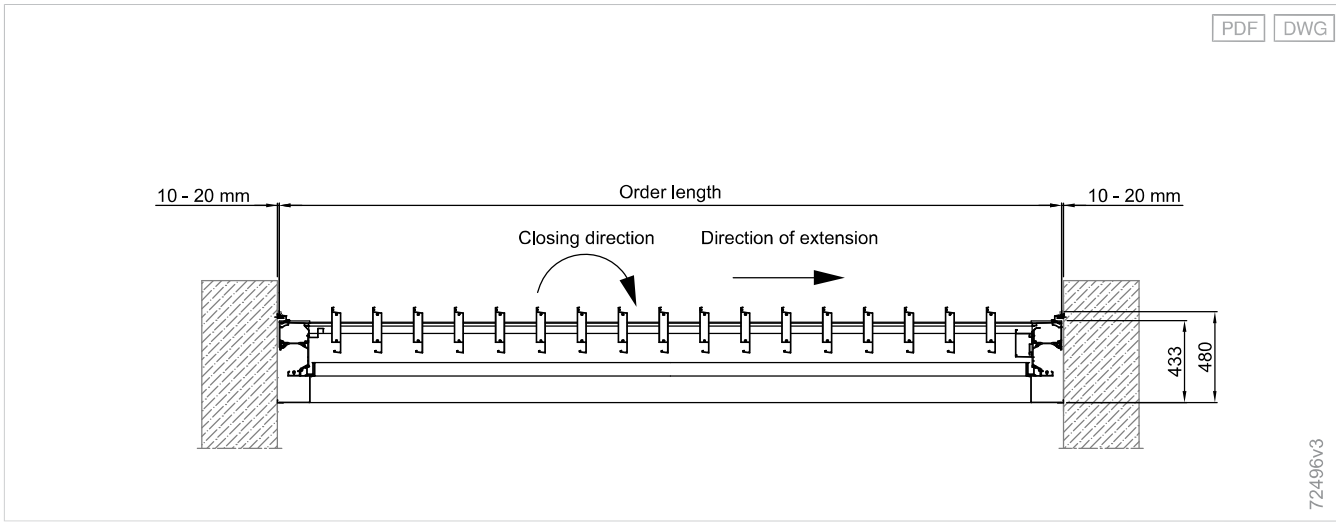
Configuration variants	Minimum order width	Maximum order width	Minimum order length	Maximum order length	Maximum order area
Slat					
Slat - L60/L70	2500 mm	4500 mm	2000 mm	6000 mm	27 m ²

Series-mounted units: Generally only individual units possible!

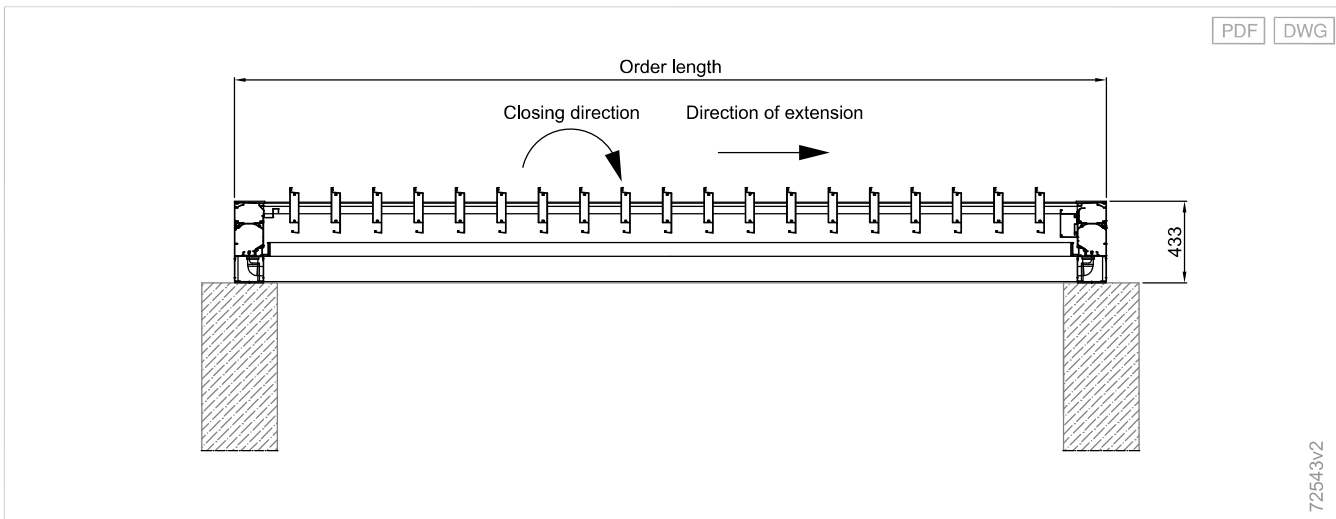
Dimension determination

The edge distances of the screw anchors have to be taken into account when fixing the base plate for surface-mounted installation.

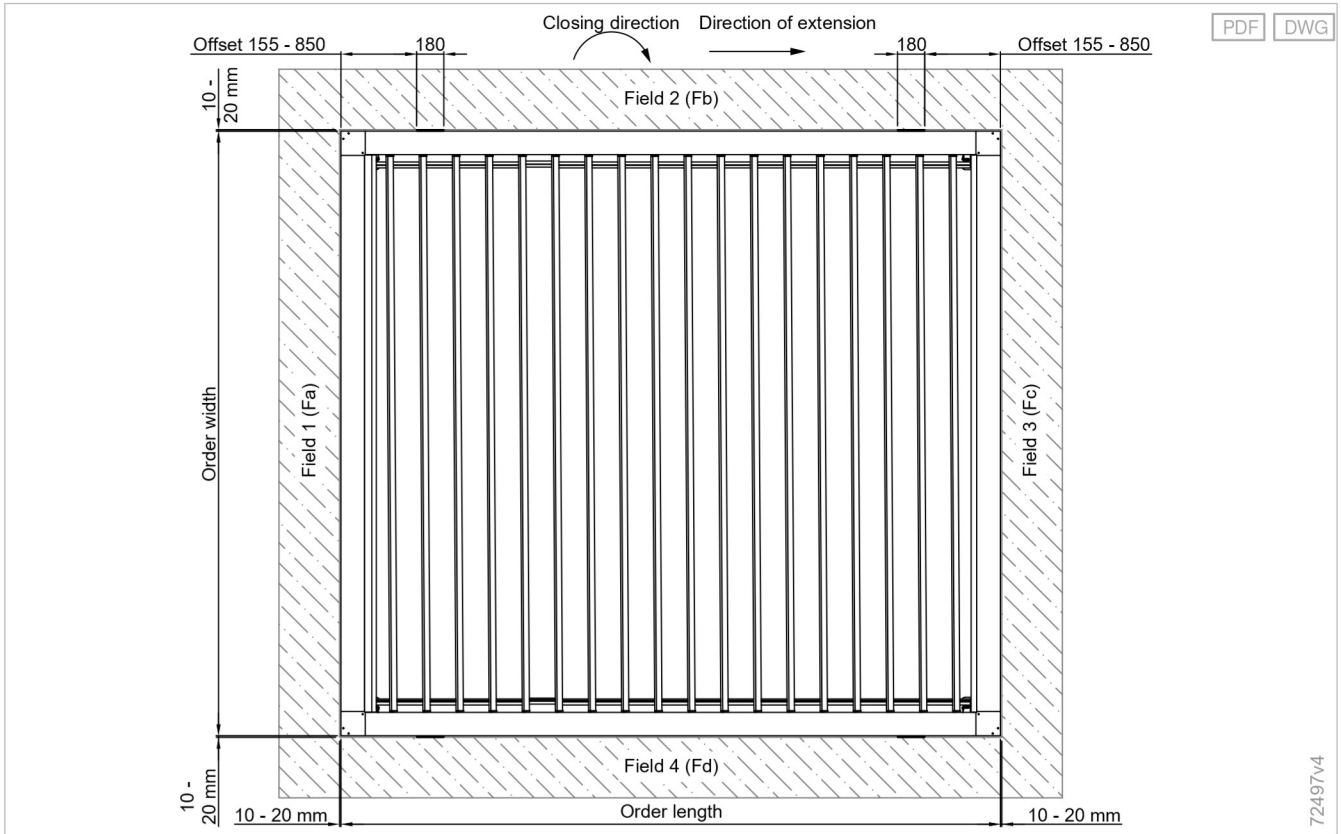
Side view of integrated installation - L60/L70 Free



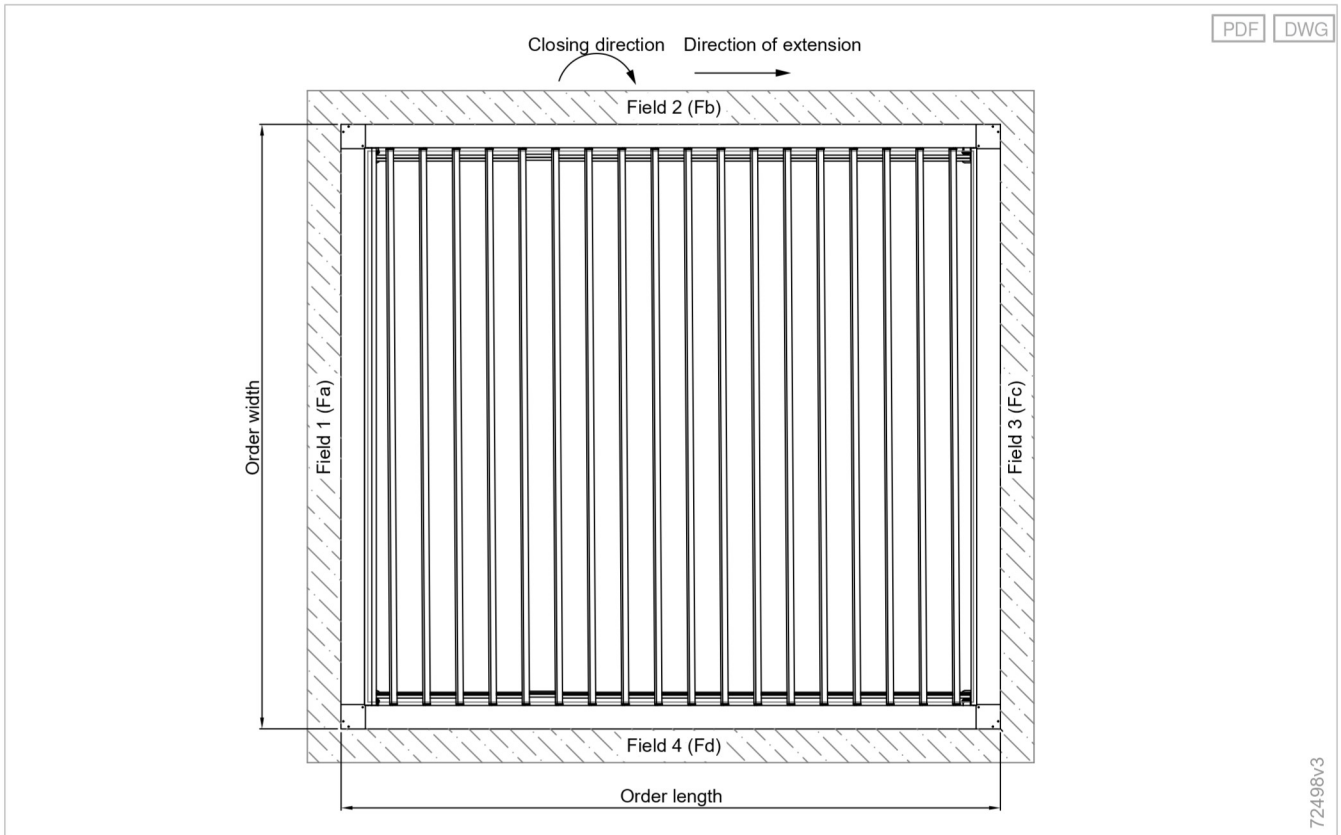
Side view of surface-mounted installation - L60/L70 Free



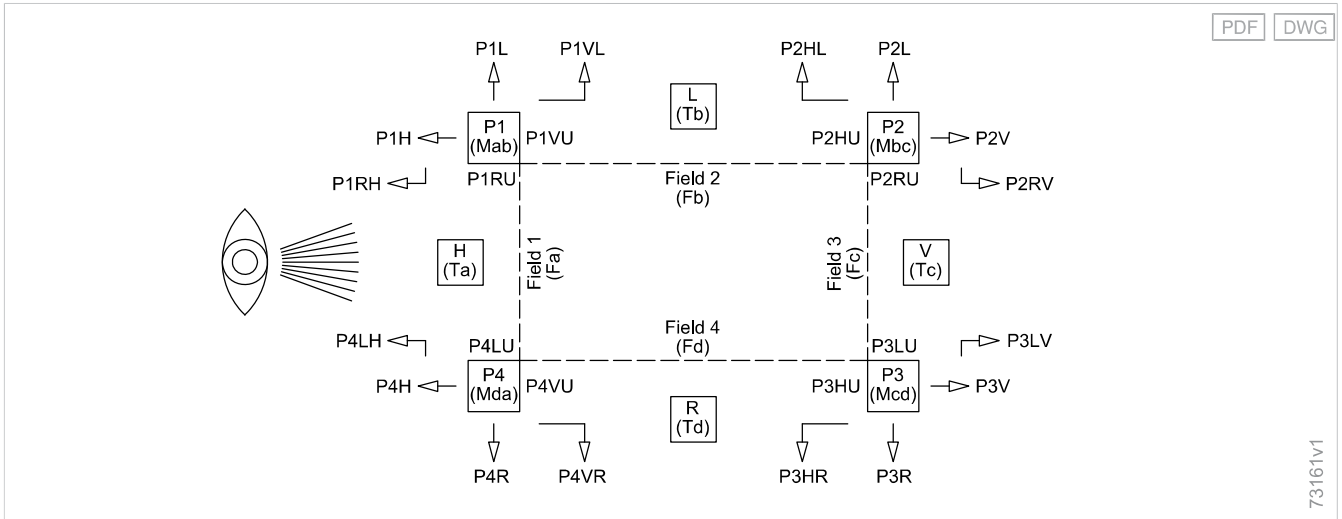
Top view of integrated installation - L60/L70 Free



Top view of surface-mounted installation - L60/L70 Free



Position of connection points - L60/L70 Free



- | | | | |
|---|----------|---|---|
| P | Position | U | Bottom |
| L | Left | F | Field |
| R | Right | M | Point of installation (pole or wall connection) |
| V | Front | T | Crossbeam |
| H | Rear | | |

Weight assessment

Weight assessment for roof systems

Order length	Order width				
	2500 mm	2501 - 3000 mm	3001 - 3500 mm	3501 - 4000 mm	4001 - 4500 mm
2000 - 2500 mm	370 kg	401 kg	432 kg	463 kg	493 kg
2501 - 3000 mm	407 kg	441 kg	475 kg	509 kg	543 kg
3001 - 3500 mm	452 kg	492 kg	531 kg	571 kg	611 kg
3501 - 4000 mm	488 kg	532 kg	575 kg	618 kg	661 kg
4001 - 4500 mm	524 kg	571 kg	618 kg	664 kg	711 kg
4501 - 5000 mm	560 kg	611 kg	661 kg	711 kg	761 kg
5001 - 5500 mm	606 kg	662 kg	717 kg	773 kg	823 kg
5501 - 6000 mm	642 kg	701 kg	760 kg	820 kg	879 kg

Quantity determination

Number of slats

Order length	Number of slats	Stack length
2000 mm	7	531 mm
2221 mm	8	586 mm
2440 mm	9	641 mm
2659 mm	10	696 mm
2878 mm	11	751 mm
3097 mm	12	806 mm
3316 mm	13	861 mm
3535 mm	14	916 mm
3754 mm	15	971 mm
3973 mm	16	1026 mm
4192 mm	17	1081 mm
4411 mm	18	1136 mm
4630 mm	19	1191 mm
4849 mm	20	1246 mm
5068 mm	21	1301 mm
5287 mm	22	1356 mm
5506 mm	23	1411 mm
5725 mm	24	1466 mm
5944 mm	25	1521 mm

Order length:

- The order length in the table is the dimension with the smallest possible length equalization plates and hence corresponds to the optimum order dimension (except order length 2000 mm).

Stack length:

- The stack length refers to the motor operation distribution on the crossbeam in field 1. If the motor operation distribution is realized on the crossbeam in field 3, the stack length reduces by 44 mm.

Optimal order length, electrical distribution in the crossbeam

1 length compensation plate on the opposing side of the electrical distribution crossbeam

Optimal order length in mm (from)	Order length in mm (up to)	Number of slats
2000	2089	7
2221	2308	8
2440	2527	9
2659	2746	10
2878	2965	11
3097	3184	12
3316	3403	13
3535	3622	14
3754	3841	15
3973	4060	16
4192	4279	17
4411	4498	18
4630	4717	19
4849	4936	20
5068	5155	21
5287	5374	22

Optimal order length in mm (from)	Order length in mm (up to)	Number of slats
5506	5593	23
5725	5812	24
5944	6000	25

Optimum order lengths = order dimensions with the smallest possible length equalisation plates (except order length 2000 mm).

Optimum order length for Lamaxa L60/L70 Line = roof crown

Optimal order length, electrical distribution in the crossbeam

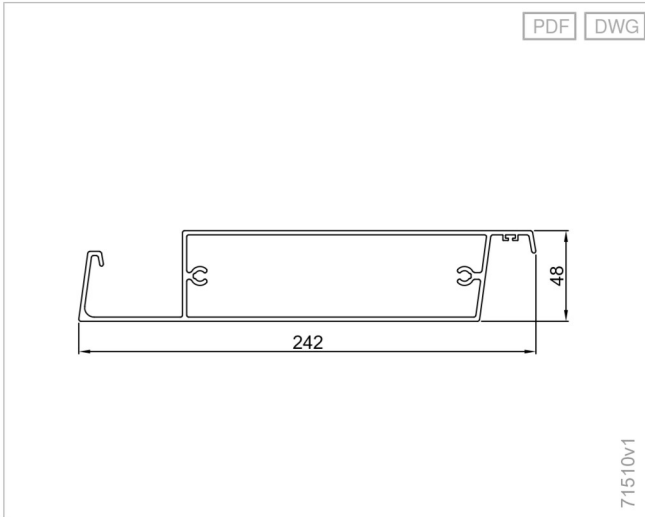
One length equalisation plate each on crossbeams 1 and 3

Optimal order length in mm (from)	Order length in mm (up to)	Number of slats
2090	2220	7
2309	2439	8
2528	2658	9
2747	2877	10
2966	3096	11
3185	3315	12
3404	3534	13
3623	3753	14
3842	3972	15
4061	4191	16
4280	4410	17
4499	4629	18
4718	4848	19
4937	5067	20
5156	5286	21
5375	5505	22
5594	5724	23
5813	5943	24

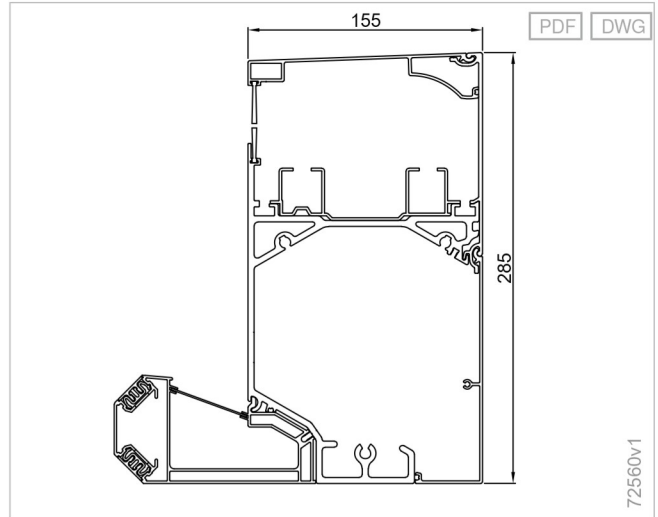
With the optimal order lengths as per the table, there is a length compensation plate for length compensation on both crossbeam 1 and crossbeam 3 in the product version with electrical distribution on the crossbeam.

Details

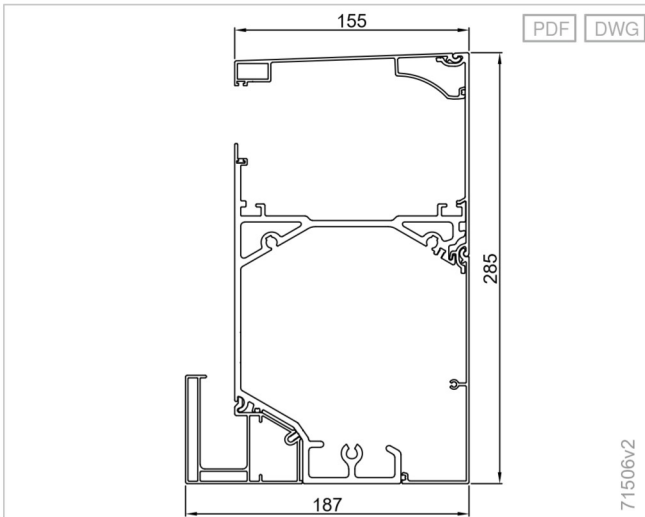
Slat - L60/L70



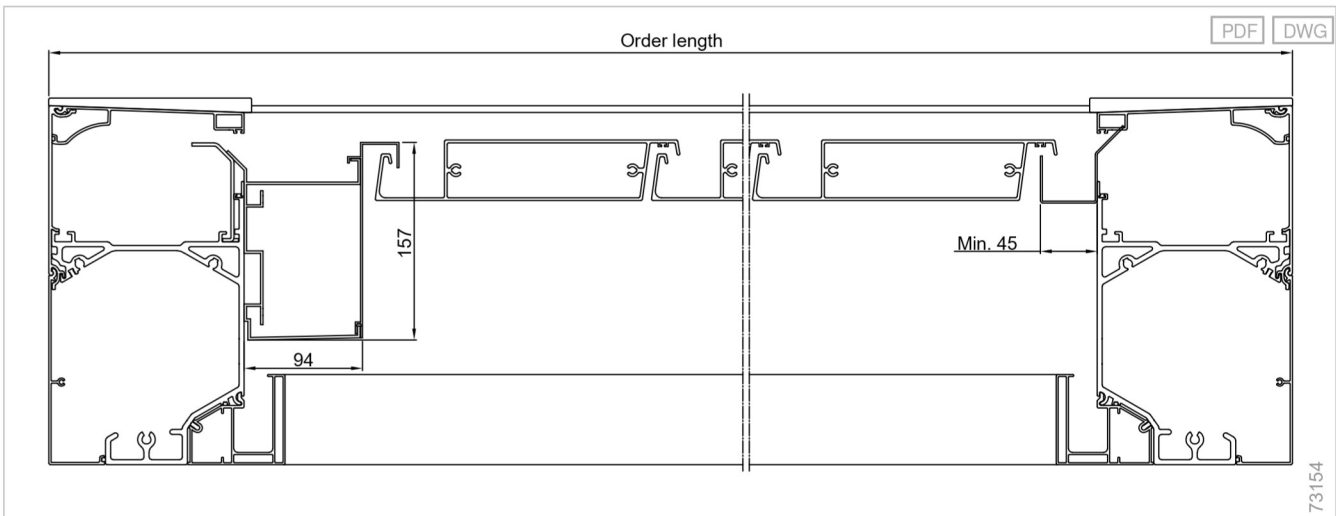
Crossbeam with tilting mechanism - L60/L70



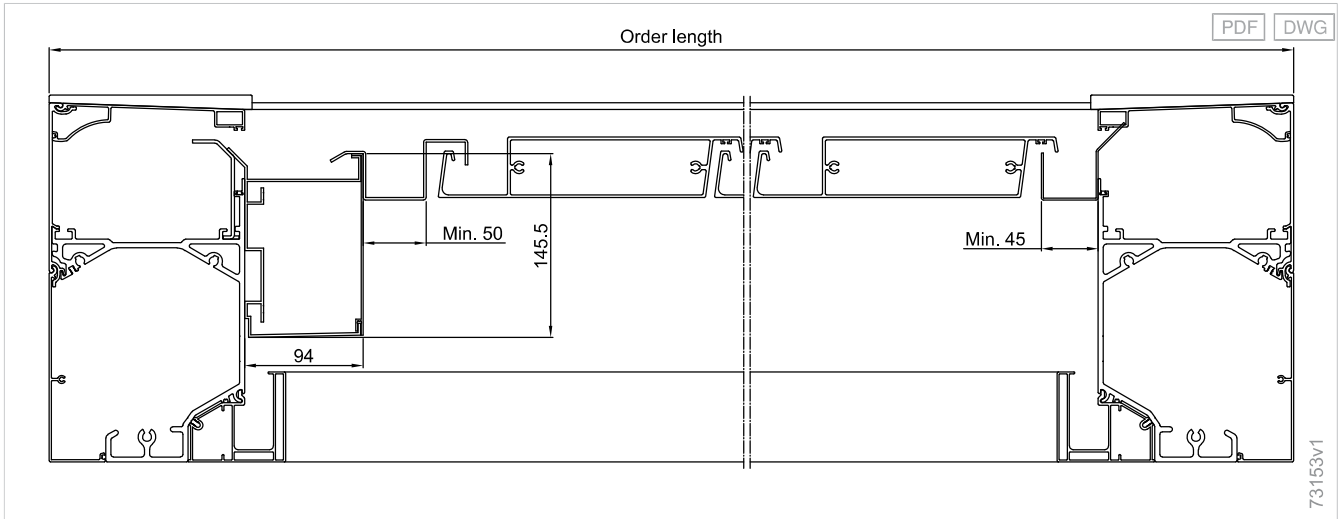
Crossbeam with motor - L60/L70



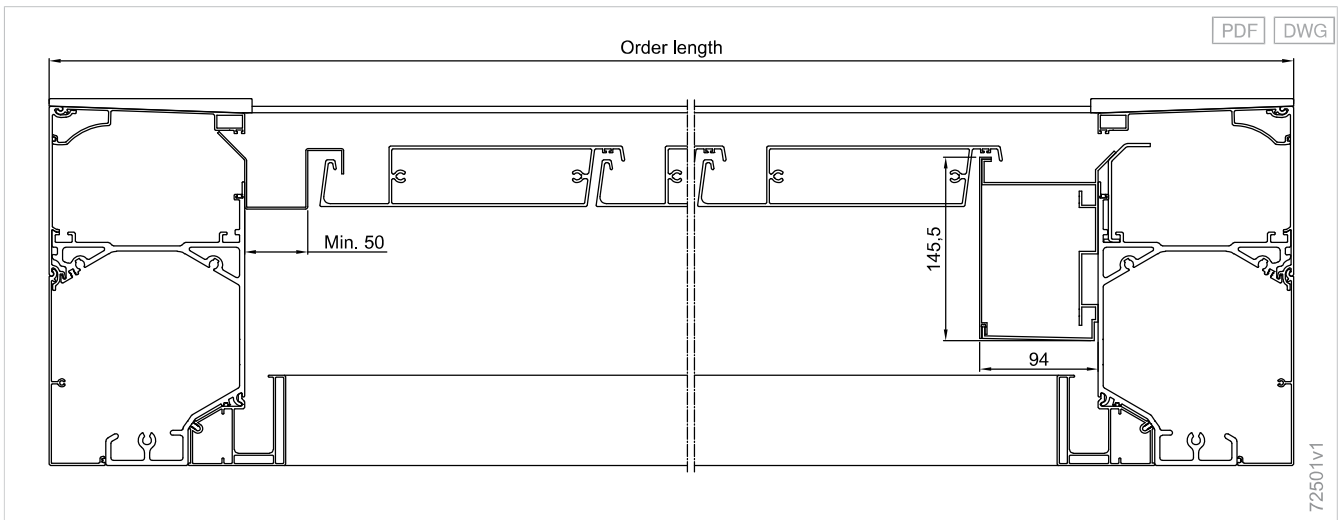
One length compensation plate, motor operation distribution on the crossbeam (field 1) - L60/L70



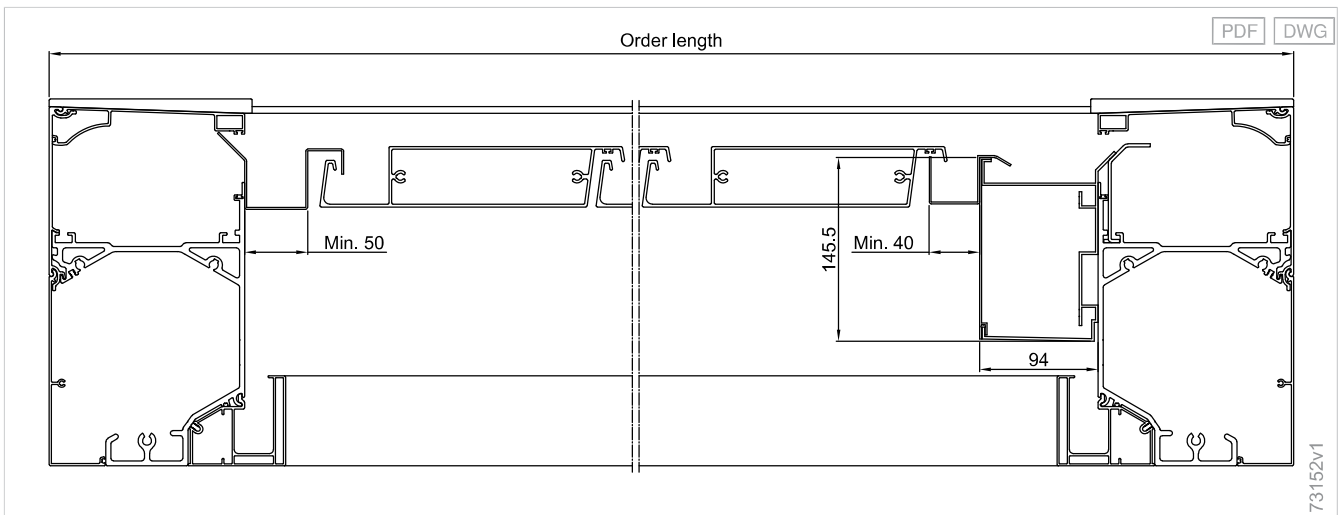
Two length compensation plates, motor operation distribution on the crossbeam (field 1) - L60/L70



One length compensation plate, motor operation distribution on the crossbeam (field 3) - L60/L70



Two length compensation plates, motor operation distribution on the crossbeam (field 3) - L60/L70



Planning

Slat roofs
Lamaxa

Glass roofs
Lamaxa

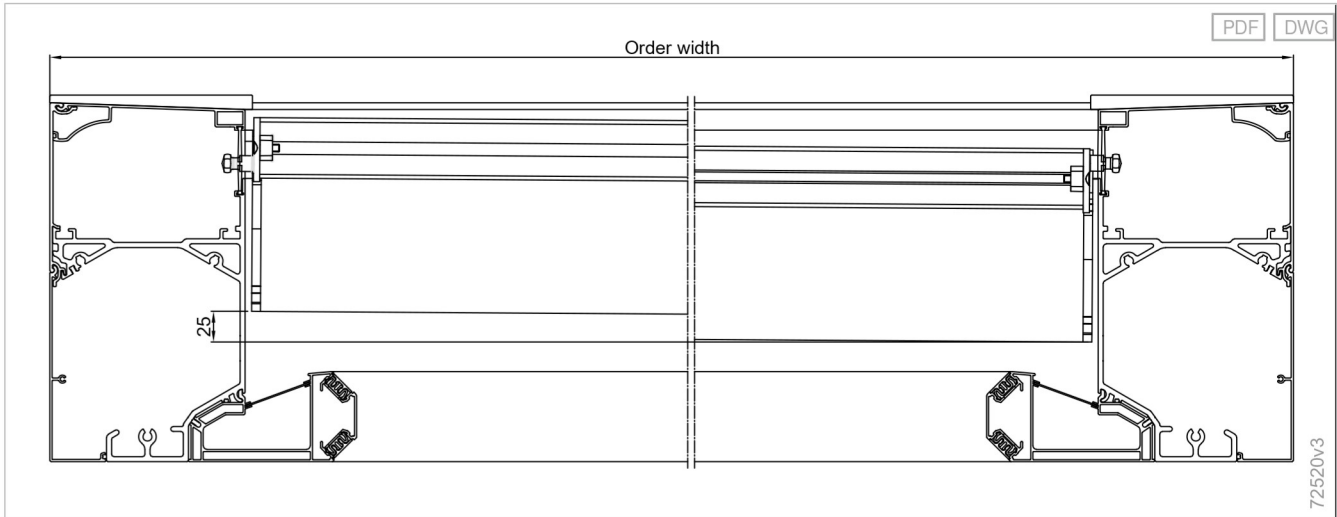
Fabric roofs
Lamaxa

Supplementary
accessories

Drive
variants

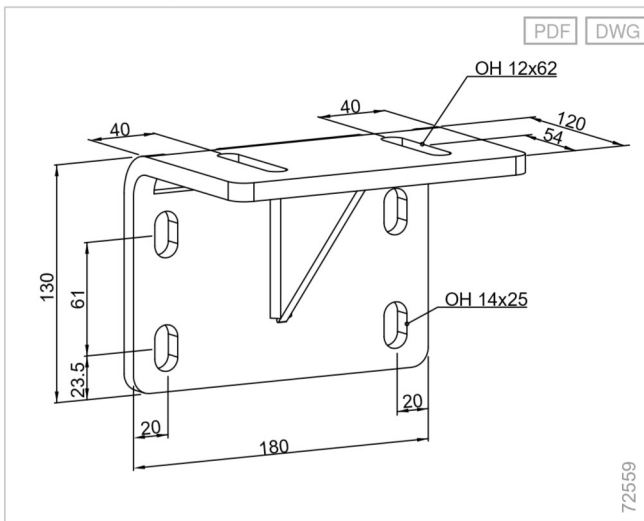
Standards

Top view, motor operation distribution on the crossbeam - L60/L70

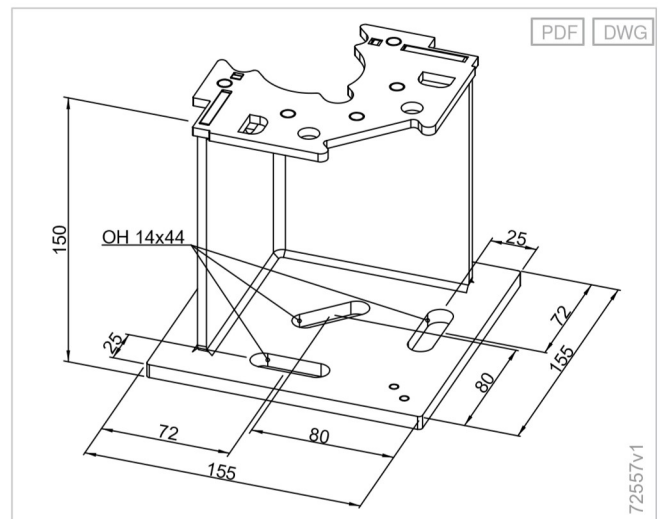


Attention: The motor operation distribution is assigned parallel to the slats, resulting in a height offset between field 2 and field 4.

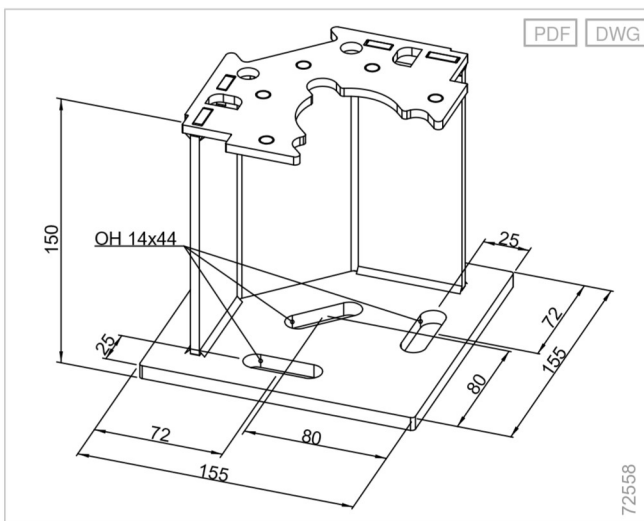
Console for integrated installation - L60/L70 Free



Console for surface-mounted installation, drainage in the corner to the outside - L60/L70 Free

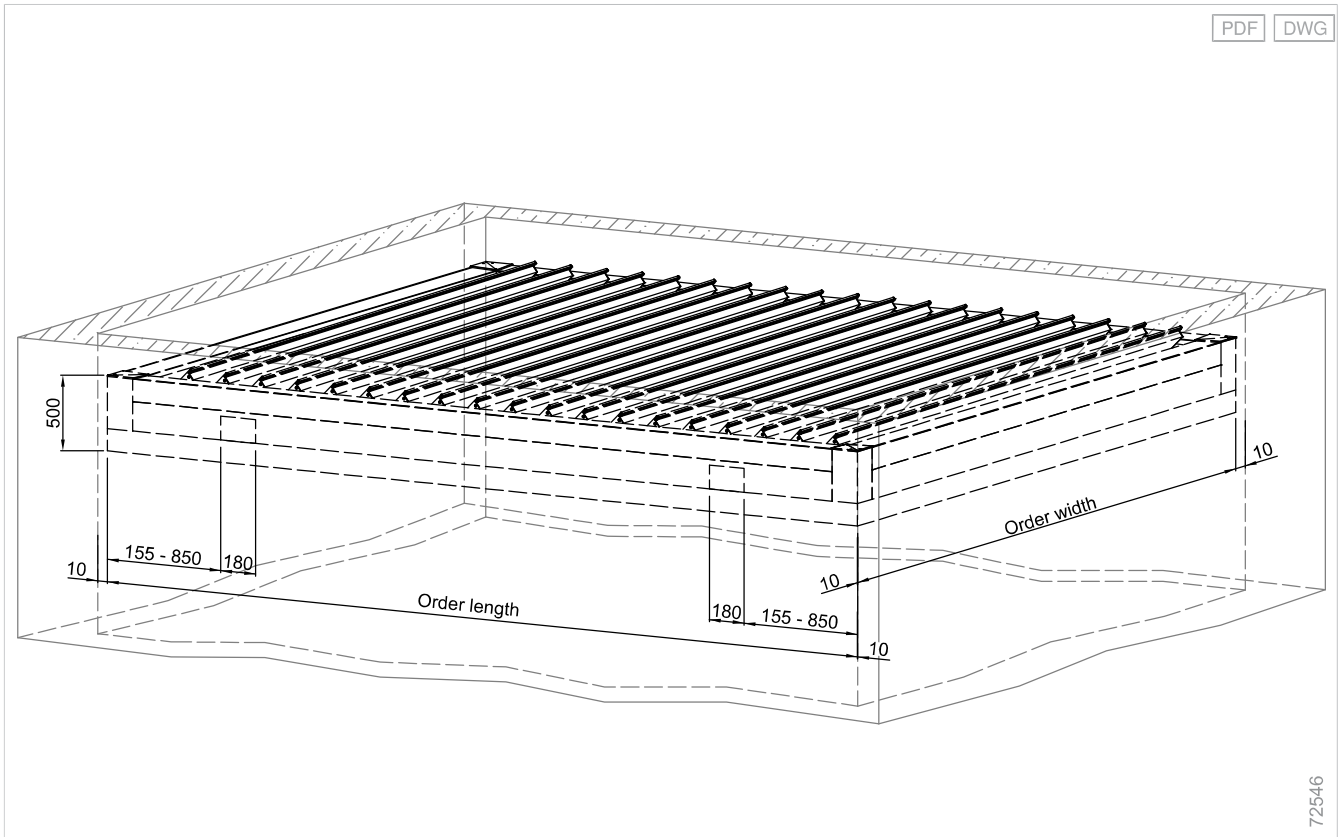


Console for surface-mounted installation, drainage below the crossbeam - L60/L70 Free



Mounting examples

Integrated installation - L60/L70 Free



Planning

Slat roofs
Lamaxa

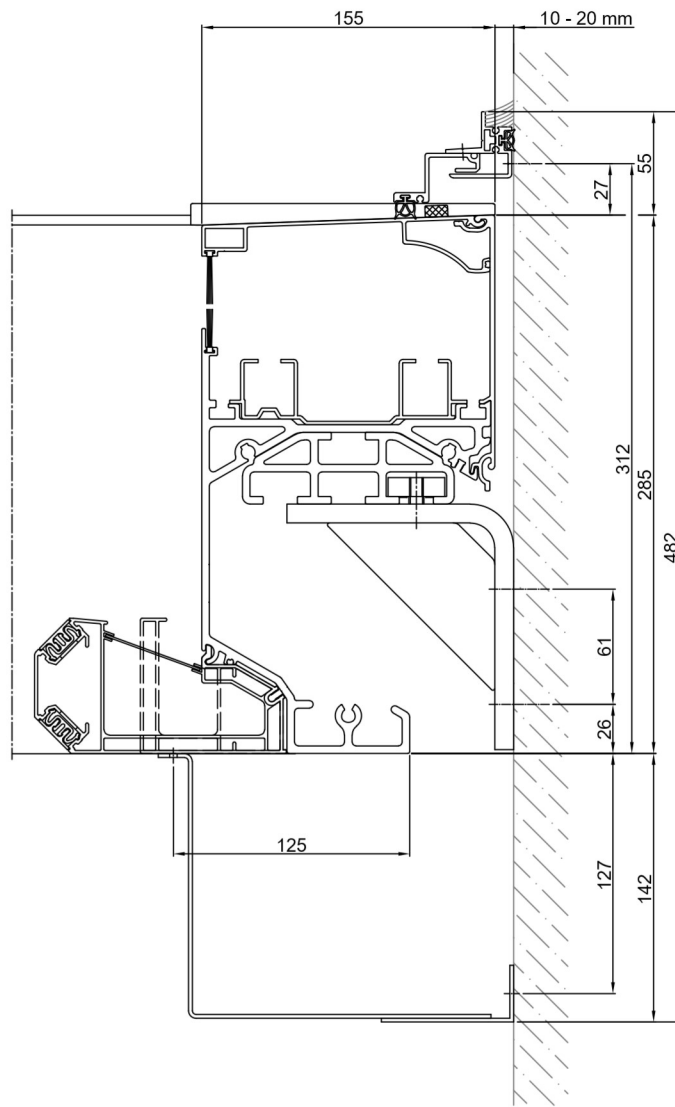
Glass roofs
Lamaxa

Fabric roofs
Lamaxa

Supplementary
accessories

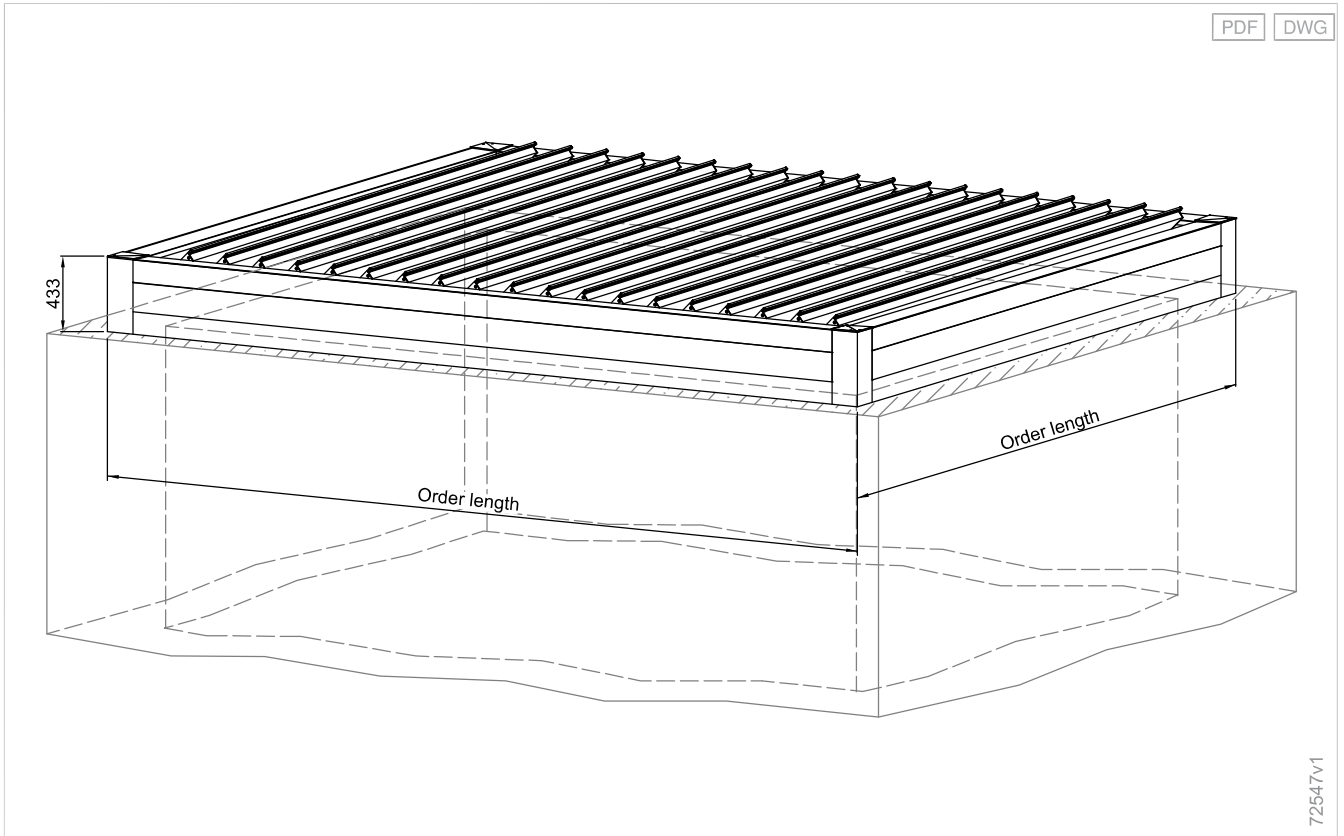
Drive
variants

Standards



72499v1

Surface-mounted installation - L60/L70 Free



Planning

Slat roofs
Lamaxa

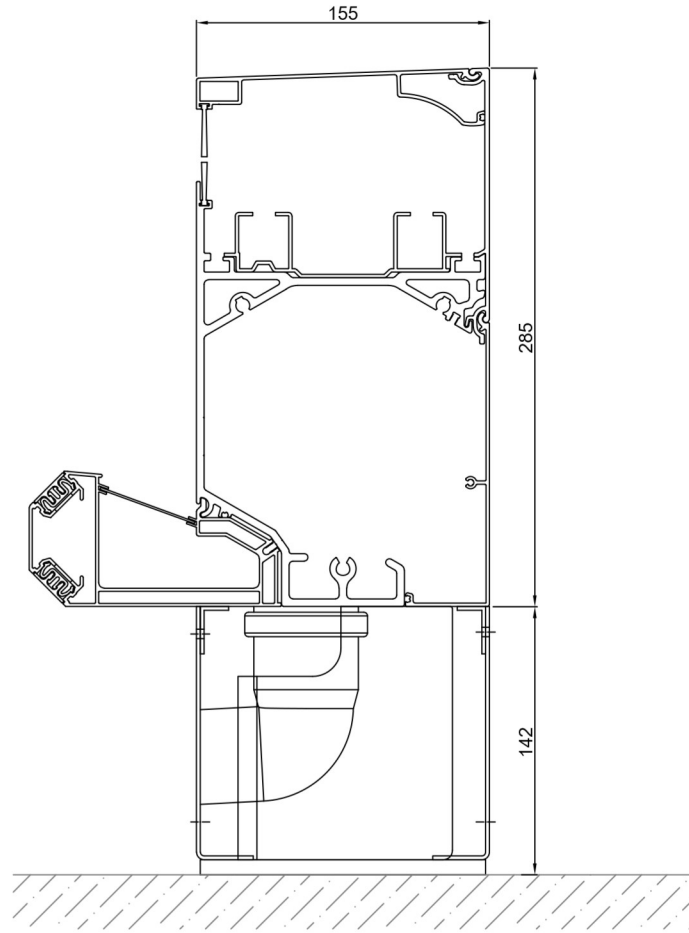
Glass roofs
Lamaxa

Fabric roofs
Lamaxa

Supplementary
accessories

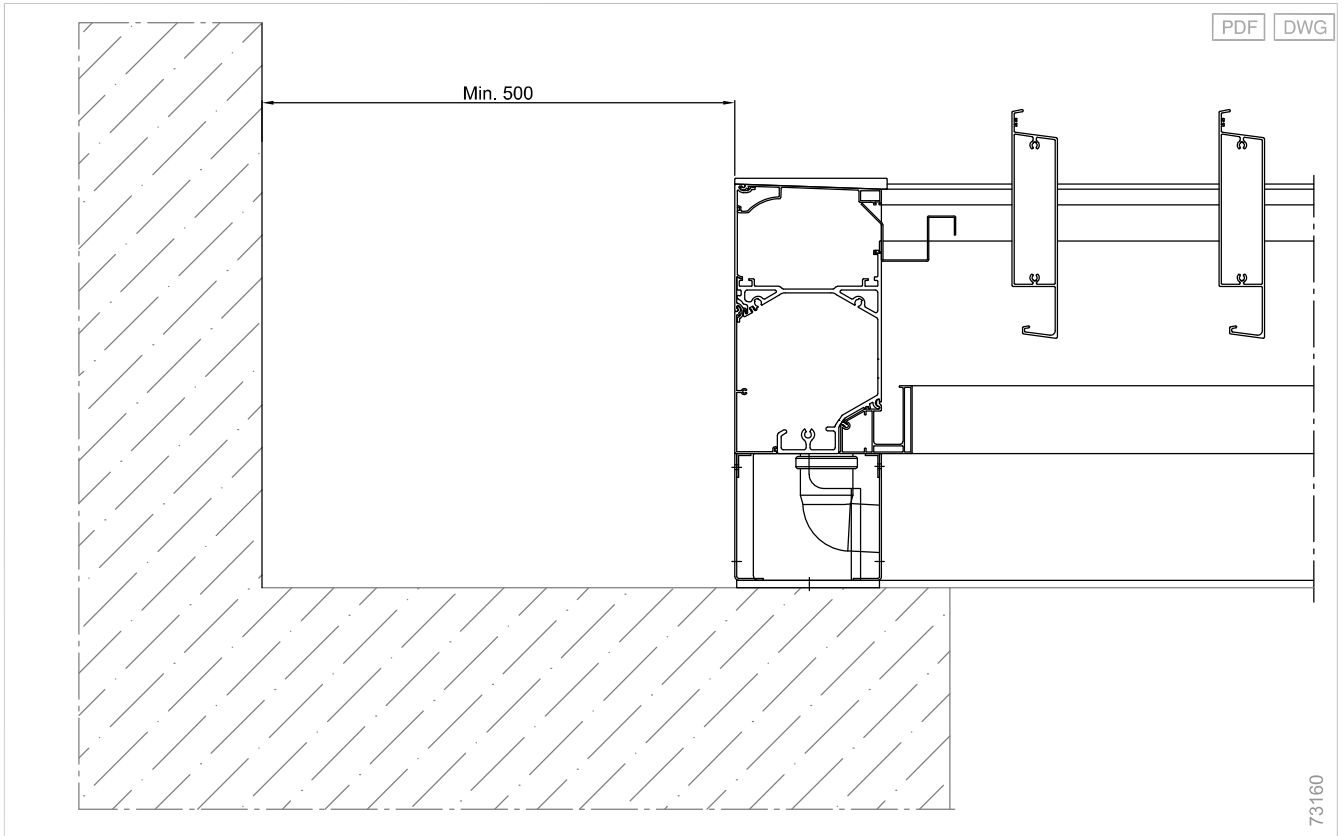
Drive
variants

Standards



72500v1

Surface-mounted installation in inner angle/reveal - L60/L70 Free



Planning

Slat roofs
Lamaxa

Glass roofs
Lamaxa

Fabric roofs
Lamaxa

Supplementary
accessories

Drive
variants

Standards



Slat roofs Lamaxa

Slat roof Lamaxa L70 Line

Elegantly connected

Shading of very large areas: With a central pole, several units can be elegantly lined up along the long as well as the short side.

Combinable

Double the flexibility: Combinations of the L60 (pivotable slats) and L70 (pivotable and movable slats) make individual solutions a possibility.

Year-round use

Protection in all weather: Depending on the type, the incidence of light can be adjusted to several levels with the tilting and moving slats – from a fully unobstructed view of the sky all the way to a complete closure of the slat roof.

Construction limit values

Maximum order width	9000 mm
Maximum order length	12000 mm
Maximum order area	54 m ²

Order here

myWAREMA

[Art.-Nr. 2044989](#)

Order form

<https://docs.warema.com/fi/2041152.pdf>

<https://docs.warema.com/fi/2041150.pdf>

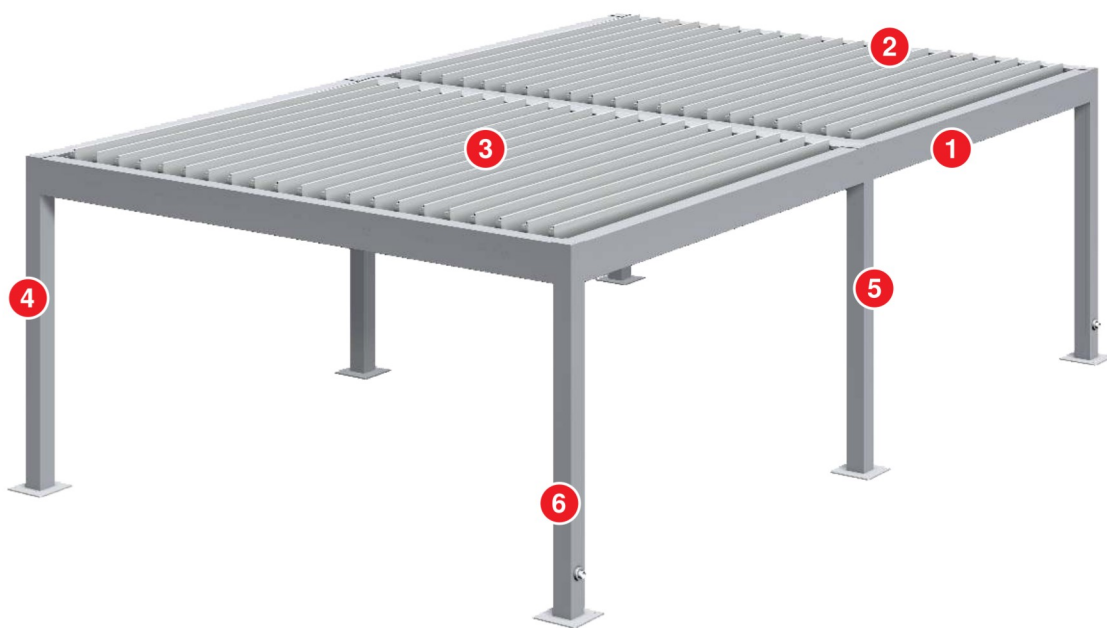
WAREMA tools

[Sun Shading Planner](#)

[see "Navigating the document", Page 5](#)

Components

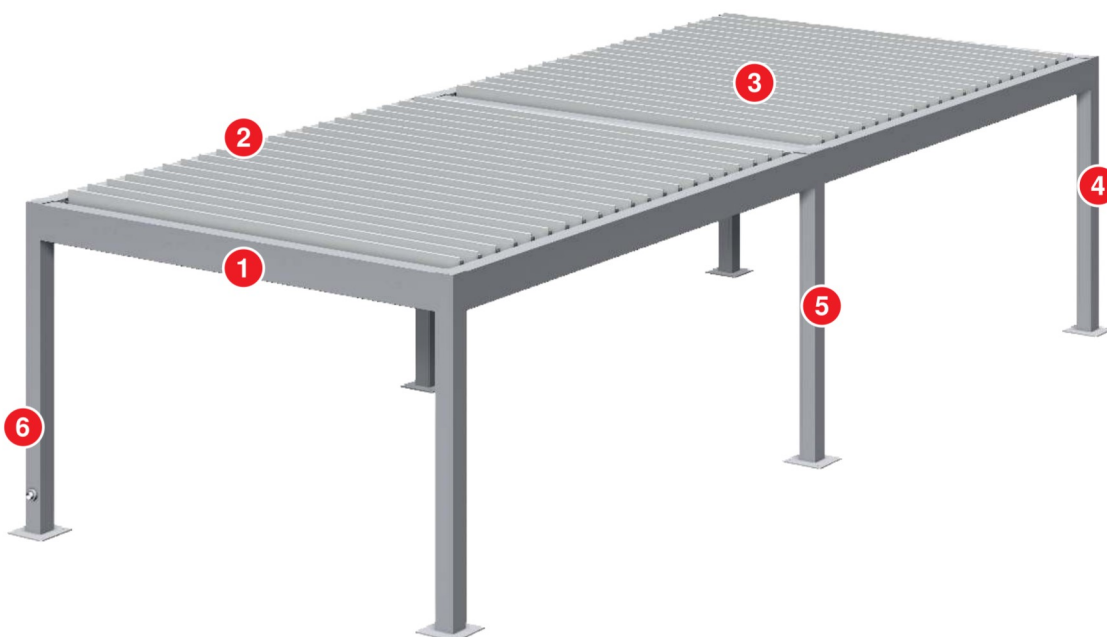
Lamaxa Line L60/L70



- 1 Crossbeam with motor
- 2 Crossbeam with tilting mechanics
- 3 Slats

- 4 Pole
- 5 Middle pole
- 6 Drainage in pole

Lamaxa Line - L60/L70



- 1 Crossbeam with motor
- 2 Crossbeam with tilting mechanics
- 3 Slats

- 4 Pole
- 5 Middle pole
- 6 Drainage in pole

Planning

Slat roofs
Lamaxa

Glass roofs
Lamaxa

Fabric roofs
Lamaxa

Supplementary
accessories

Drive
variants

Standards

Slat

Slat - L60/L70

Material	Aluminium, extruded
Surface	Powder-coated
Width	242 mm
Height	48 mm
Swivelling range	0 - 135 °

Remarks:

Electrical distribution on crossbeam 1 or in the pole: 0° to 135°

Electrical distribution on crossbeam 3: 0° to 125°

Pole

Pole - L60/L70

Material	Aluminium, extruded
Surface	Powder-coated
Material, notes	Two-piece
Width	155 mm
Height	155 mm

Installation options:

- Ground installation with frost-proof, on-site foundation.
- The grout for filling the clearance is not included in the scope of delivery when threaded rods are used.

Floor recess and separation cut:

- For a floor recess, we recommend the use of a separation cut in the inspection parts to allow for inspection without dismantling the floor.
- If the floor recess does not have a separation cut, the easyZIP guidance inlays and the integrated LED strips reach the bottom edge of the pole profile.
- Floor recesses with a separation cut must be at least 60 mm.

Centre pole - L60/L70 Line

Material	Aluminium, extruded
Surface	Powder-coated
Width	155 mm
Height	155 mm

Installation options:

- Ground installation with frost-proof, on-site foundation.
- The grout for filling the clearance is not included in the scope of delivery when threaded rods are used.

Floor recess and separation cut:

For a floor recess, we recommend the use of a separation cut in the inspection parts to allow for inspection without dismantling the floor. If the floor recess does not have a separation cut, the easyZIP guidance inlays and the integrated LED strips reach the bottom edge of the pole profile.

Pole, optional

Pole guide rails- L60/L70

Material	Aluminium, extruded
Surface	Powder-coated
Material, notes	Two-piece
Width	155 mm
Height	155 mm

If easyZIP awning is installed in a field in which a wall console is installed, a separate pole is required below the wall console. Drainage through guide rail poles possible.

Base plate

Base plate - external L60/L70

Material	Galvanised steel
Surface	Plain
Optional surface	Powder-coated
Width	355 mm
Height	355 mm

Base plate, optional

Base plate - corner installation L60/L70

Material	Galvanised steel
Surface	Plain
Optional surface	Powder-coated
Width	255 mm
Height	255 mm

Base plate - recess installation N1 L60/L70

Material	Galvanised steel
Surface	Plain
Optional surface	Powder-coated
Width	255 mm
Height	355 mm

Base plate - recess installation N2 L60/L70

Material	Galvanised steel
Surface	Plain
Optional surface	Powder-coated
Width	355 mm
Height	255 mm

Crossbeam

Crossbeam with motor - L60/L70

Material	Aluminium, extruded
Surface	Powder-coated
Width	187 mm
Height	285 mm

Crossbeam with tilting mechanism - L60/L70

Material	Aluminium, extruded
Surface	Powder-coated
Width	243 mm
Height	285 mm

Splash guard - L60/L70

Material	Stainless steel
Surface	Plain

Reduces the impact of the raindrops and minimises the amount of water splashing up or over.

Crossbeam, optional

Motor operation distribution on the crossbeam, field 1 - L60/L70

Material	Aluminium, extruded
Surface	Powder-coated
Width	123 mm
Height	157 mm

Motor operation distribution on the crossbeam, field 3 - L60/L70

Material	Aluminium, extruded
Surface	Powder-coated
Width	94 mm
Height	145.5 mm

Drainage

Drainage in pole - L60/L70 Line

- Drainage through drainpipe in pole
- If each roof crown is $< 16 \text{ m}^2$, one drainage point per roof is sufficient to comply with a mean rainfall event $r5/2 = 350 \text{ l/(s ha)}$. If a roof crown is $\geq 16 \text{ m}^2$, it must be equipped with a second drainage point.
- To withstand average rainfall, three drainage points are sufficient for a total area of up to 54 m^2 if each roof is equipped with a separate drainage point plus a third common drainage point at the centre pole.

Position of drainage outlet:

- Possible on every pole
- Drainage and electronics/connecting lines must always be installed in separate poles.
- On the outsides of the poles or downward
- Min. height.: 150 mm
- Max. height: 250 mm below the headroom

Note: Downward drainage through base plate:

When planning and measuring, please note that the concrete foundation must be very precisely manufactured if downward drainage through the base plate is required!

Wall connection profile, optional

Wall connection profile with small rain hood

Material	Aluminium, extruded
Surface	Powder-coated
Width	54 - 65 mm
Height	48 mm
Dimensions, notes	The adjustment range in the depth between rain hood and wall connection profile is up to 11 mm.

The on-site sealing is the responsibility of the specialist partner; if necessary, the commissioning of a plumbing company is recommended.

Field of application:

- Terrea K50
- Terrea K70
- Perea P20 (up to an angle of 10°)
- Lamaxa L50/L60/L70

Console, optional

Wall console - Lamaxa L60/L70

Material	Stainless steel
Surface	Powder-coated
Width	130 mm
Height	180 mm
Depth	150 mm

- Use in corner as pole replacement.
- A maximum of two poles can be replaced by wall consoles.
- For a concrete mounting substructure; adapter plates are required for other substructures.
- Electrical distribution takes place on the crossbeam if there are fewer than four poles (field 1 or field 3). This also applies to Lamaxa Line.
- The wall console protrudes 10 mm beyond the order width and order length. This results in a gap of 10 mm between the crossbeam and the wall.
- For inner angle wall consoles, the lateral corner area is not covered by profiles.

Drive variants

- Motor

Motor

- WMS-LP (WMS)

+ see "Drive variants", Page 235

Colours

- WAREMA Colour World, Highlight category, fine texture surface quality
- WAREMA Colour World, Variation category, fine texture surface quality

Colours, optional:

- WAREMA Colour World

+ see "WAREMA colour world", Page 10

Notes

Limit position learning:

The WAREMA Smart programming cable is required to set the motor limit positions.

Operation and control:

To ensure comfortable and fast operation of the slat roof, we recommend WMS WebControl pro (control via smartphone, tablet, etc.) and WMS Weather station plus in order to use the control modes (e.g. sun control).

Installation:

- The two centre crossbeams are screw-fixed together on site and must be lifted onto the previously installed ring of both slat roofs from above.
- The maximum weight of the two centre crossbeams is 230 kg. In order to be able to swivel the crossbeam safely and without any damage, a suitable installation lift with swivel device is required.

Position of electrical distribution:

For Lamaxa Line on crossbeam at field 1 or 3.

Series-mounted units:

- **If the distance between the facade and the centre pole is ≥ 300 mm, integrated awnings with easyZIP guidance can be installed in the fields adjacent to the centre pole. If the distance is < 300 mm (minimum distance 10 mm), no easyZIP awnings can be installed in the adjacent fields (retrofitting is also not possible).**
- **A min. projection of 400 mm of space to the top edge of the crossbeam is required to lift the double crossbeam.**
- Generally, unit coupling (drive coupling) is not possible.
- Flush closures allow two slat roofs to be centrally mounted in-series on one common pole.
- The two slat roofs can overlap either at the order width or order length and have **the same closing and extension direction (no counter-rotation).**
- **The order length or order width is dimensioned to the centre axis of the centre pole.**
- The electrical distribution of the respective units is located on the crossbeam. The corresponding connecting line is required in a pole adjacent to the electrical distribution.
- If both electrical distributions are positioned on the overlapping crossbeams, the on-site power supply is possible via a centre pole.
- The use of an external base plate is recommended.
- Internal base plate not permitted.
- A power socket is only possible in the pole through which the power is supplied to the on-site line.
- The wall consoles can be either left, right, front or rear. Therefore, max. 3 poles can be replaced by wall consoles.
- If the middle pole is replaced by wall consoles, two inner angle wall consoles are implemented there.
- **A combination of L60 and L70 is possible in both joint directions.**

- It is possible to integrate easyZIP or LED into any side of the pole (but not below the double crossbeam in the joint area).
- RGB lighting of both units can be learned in to an RGB hand-held transmitter.
- One drainage point per 16 m² of roof area is sufficient per unit. Three drainage points are sufficient for a total area of up to 54 m² if each roof is equipped with a separate drainage point plus a third common drainage point at the centre pole.
- The respective max. order length is 6000 mm and the max. order width 4500 mm.

Supplementary accessories

- Smart Living connect package - Lamaxa
- Smart Living control package - Lamaxa
- Design radiant heater
- Lamaxa lighting
- Integrated awnings with easyZIP guidance - L60/L70
- Additional pole - L60/L70
- Glass sliding system SL20e
- Sliding shutters - L50/L60/L70
- Power socket

+ see "Supplementary accessories", Page 173

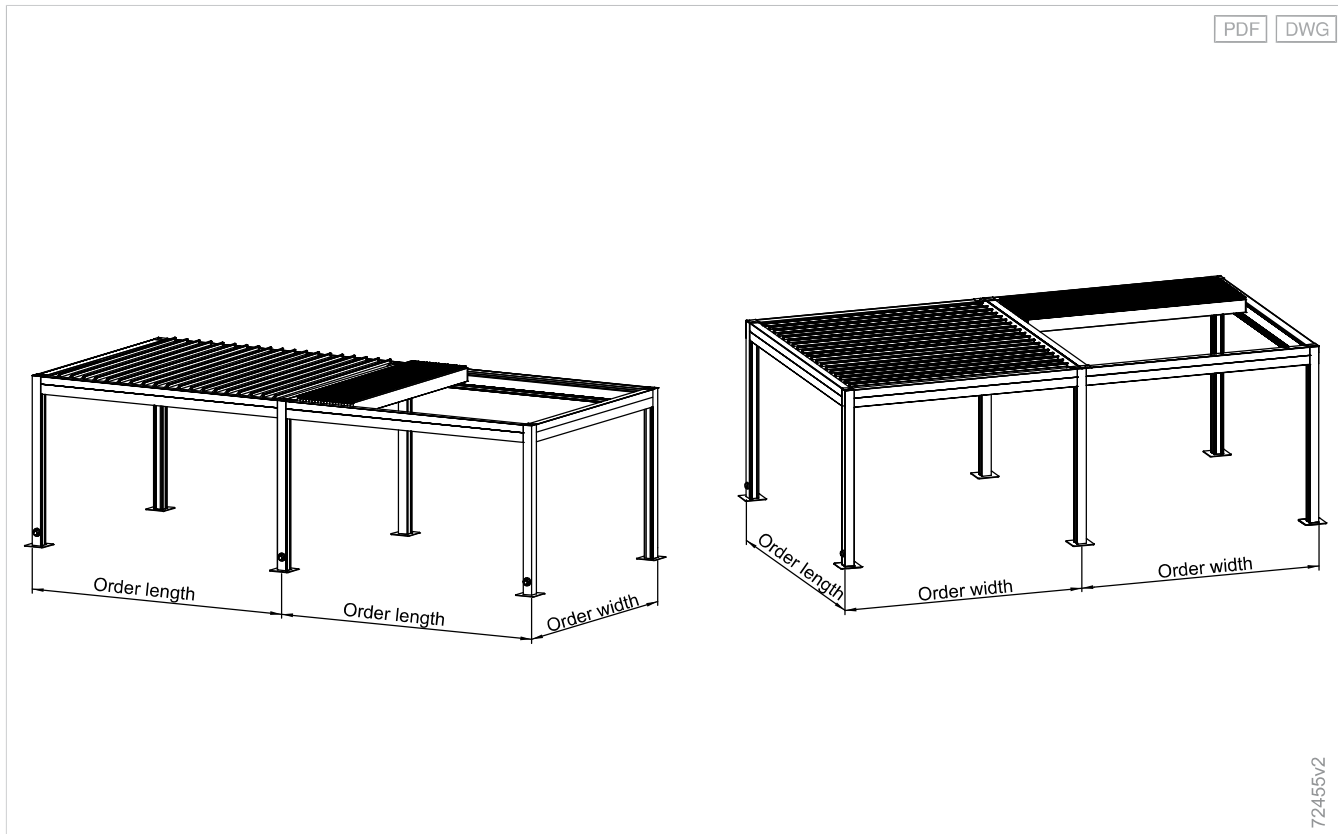
Construction limit values

Configuration variants	Minimum order width	Maximum order width	Minimum order length	Maximum order length	Maximum order area	Minimum headroom	Maximum headroom
Slat							
Slat - L60/L70	2500 mm	9000 mm	2000 mm	12000 mm	54 m ²	2350 mm	2700 mm

Dimension determination

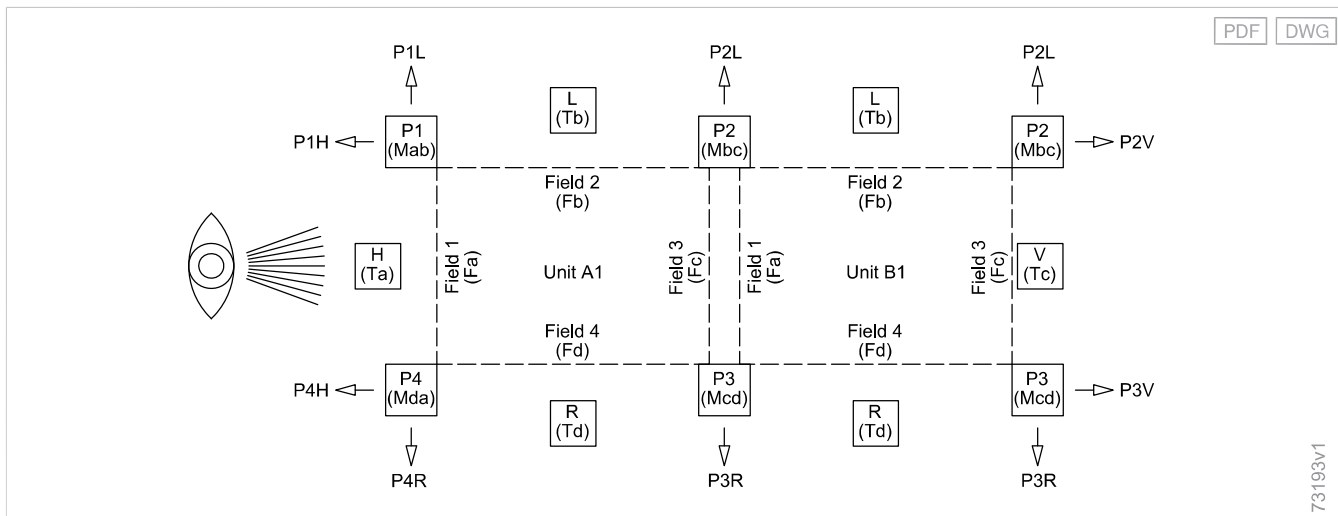
The headroom of each pole can be ordered individually (e.g. in case of a sloping finished floor).

Lamaxa Line - L60/L70



72455v2

Top view of the position/connection points - Lamaxa Line L60/L70

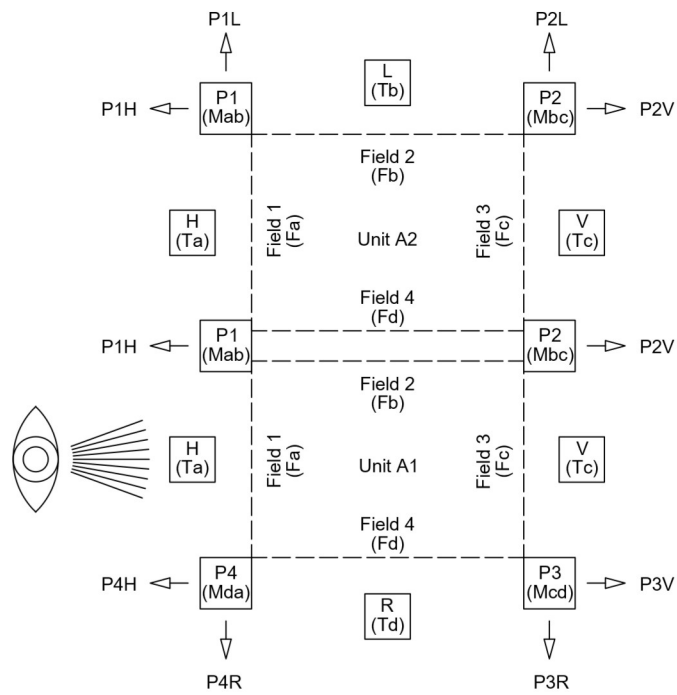


73193v1

- | | | | |
|---|----------|---|---|
| P | Position | H | Rear |
| L | Left | F | Field |
| R | Right | M | Point of installation (pole or wall connection) |
| V | Front | T | Crossbeam |

Top view of the position/connection points - Lamaxa Line L60/L70

PDF DWG

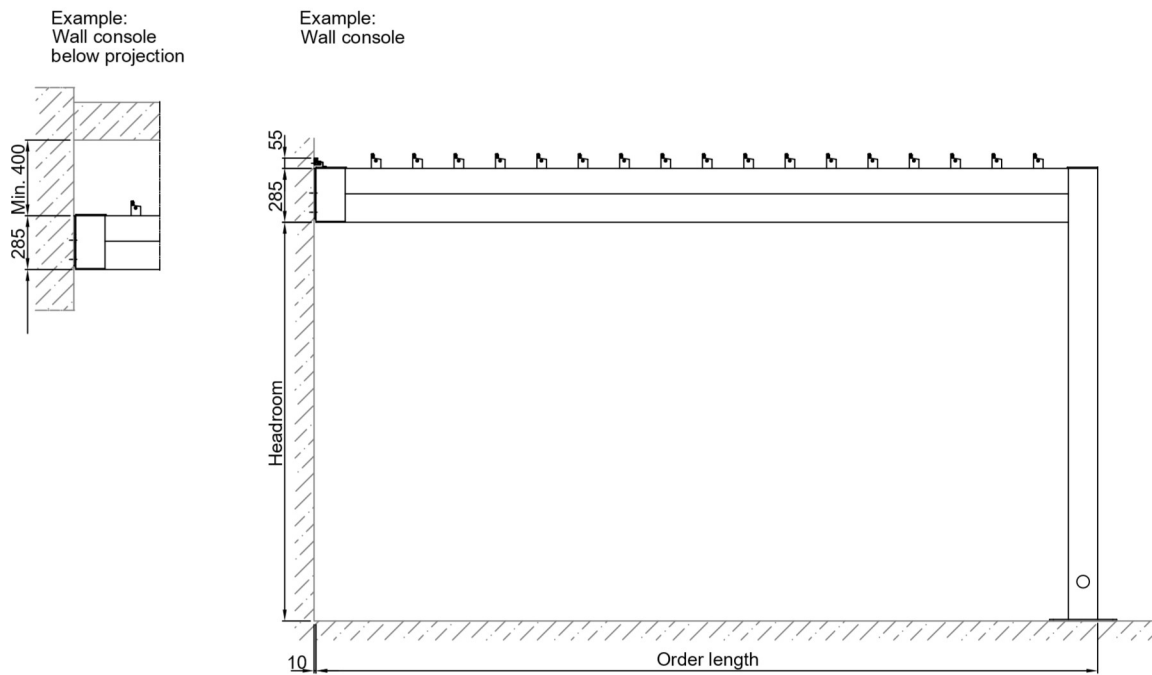


73194v1

- | | | | |
|---|----------|---|---|
| P | Position | H | Rear |
| L | Left | F | Field |
| R | Right | M | Point of installation (pole or wall connection) |
| V | Front | T | Crossbeam |

Side view of wall connection with wall console - L60/L70 Line

PDF DWG



73273

Optimal order length, electrical distribution in the crossbeam

1 length compensation plate on the opposing side of the electrical distribution crossbeam

Optimal order length in mm (from)	Order length in mm (up to)	Number of slats
2000	2089	7
2221	2308	8
2440	2527	9
2659	2746	10
2878	2965	11
3097	3184	12
3316	3403	13
3535	3622	14
3754	3841	15
3973	4060	16
4192	4279	17
4411	4498	18
4630	4717	19
4849	4936	20
5068	5155	21
5287	5374	22
5506	5593	23
5725	5812	24
5944	6000	25

Optimum order lengths = order dimensions with the smallest possible length equalisation plates (except order length 2000 mm).

Optimum order length for Lamaxa L60/L70 Line = roof crown

Optimal order length, electrical distribution in the crossbeam

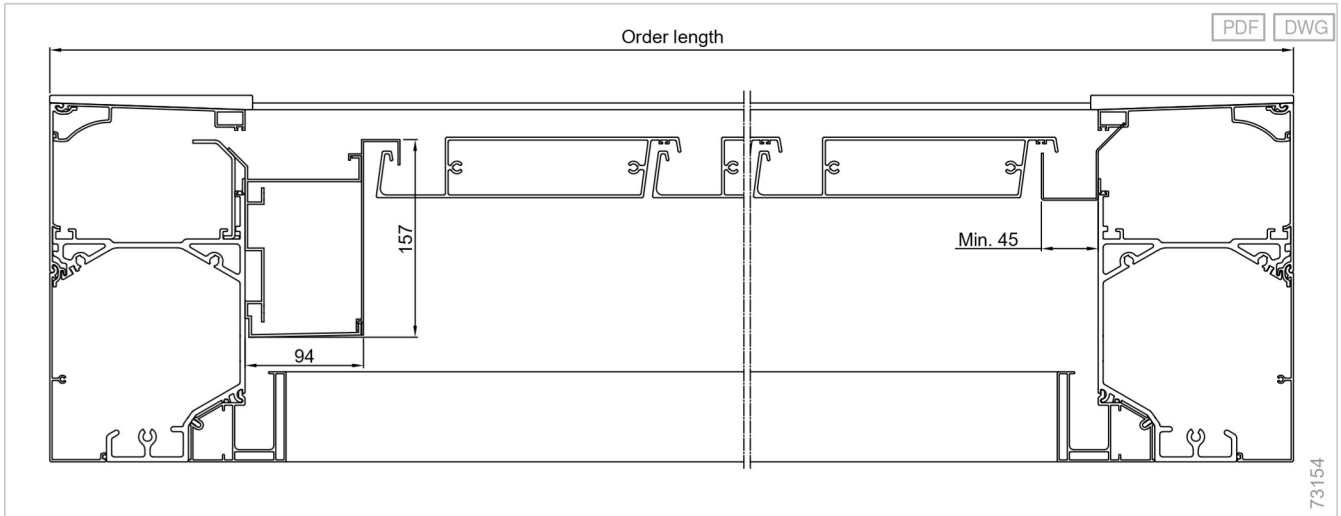
One length equalisation plate each on crossbeams 1 and 3

Optimal order length in mm (from)	Order length in mm (up to)	Number of slats
2090	2220	7
2309	2439	8
2528	2658	9
2747	2877	10
2966	3096	11
3185	3315	12
3404	3534	13
3623	3753	14
3842	3972	15
4061	4191	16
4280	4410	17
4499	4629	18
4718	4848	19
4937	5067	20
5156	5286	21
5375	5505	22
5594	5724	23
5813	5943	24

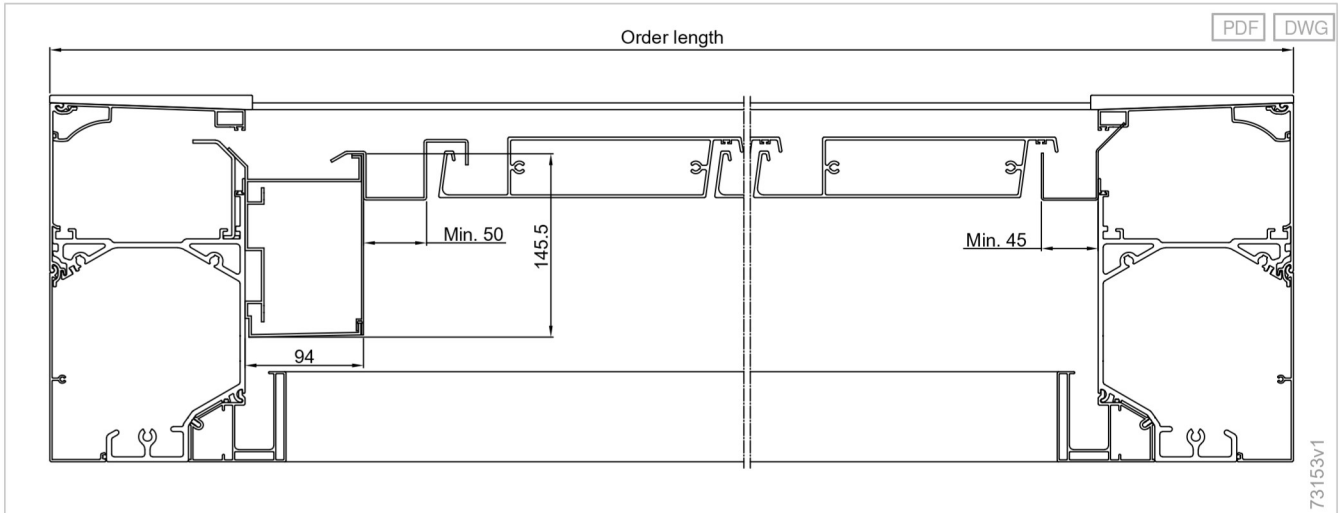
With the optimal order lengths as per the table, there is a length compensation plate for length compensation on both crossbeam 1 and crossbeam 3 in the product version with electrical distribution on the crossbeam.

Details

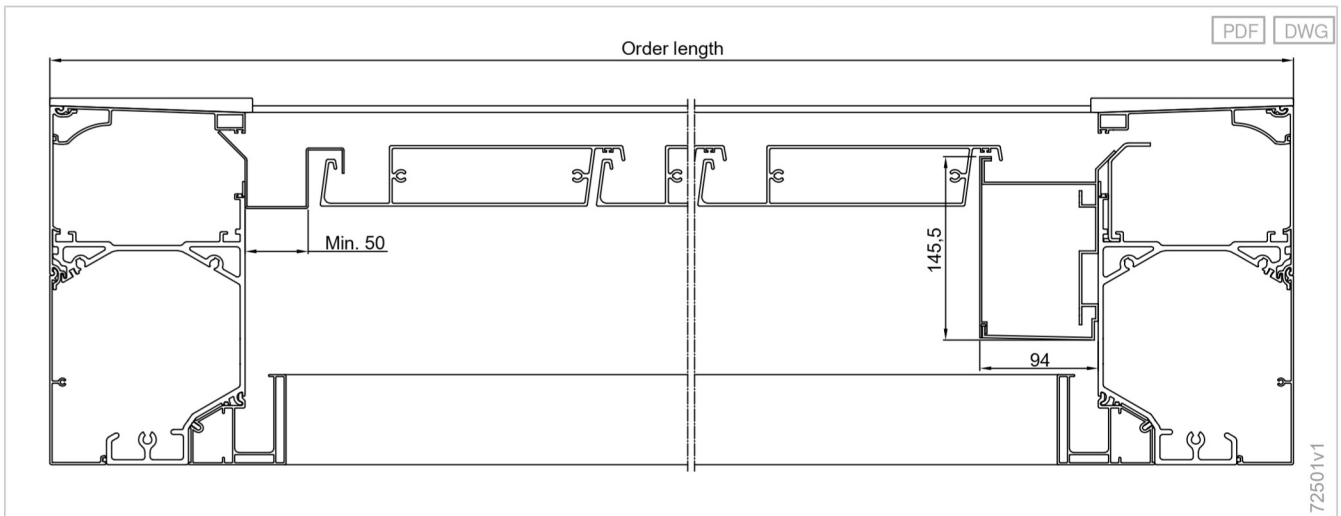
One length compensation plate, motor operation distribution on the crossbeam (field 1) - L60/L70



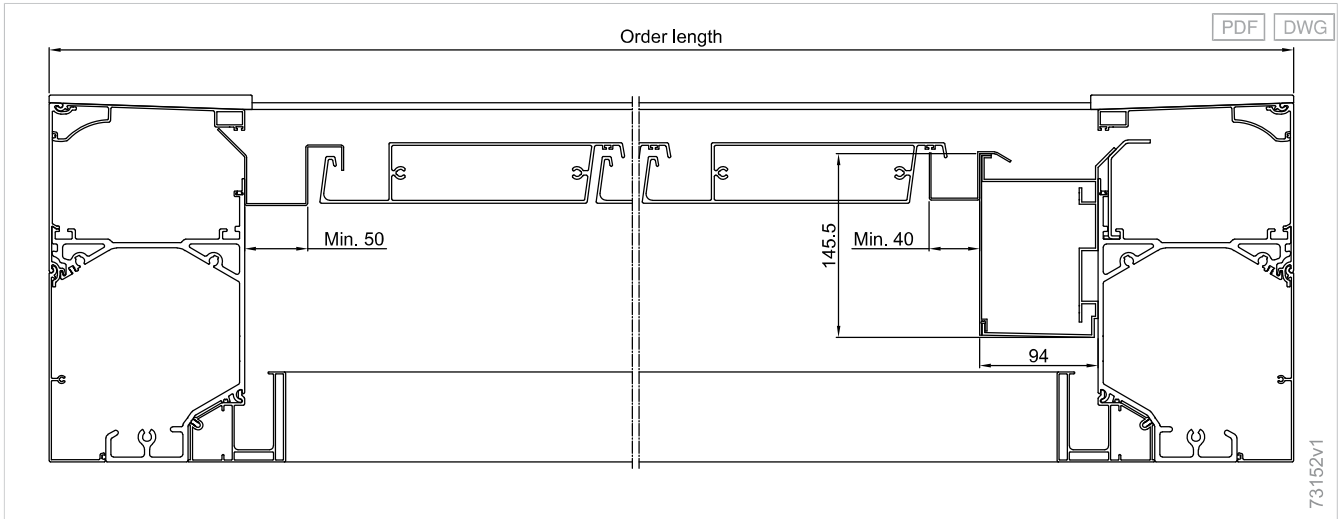
Two length compensation plates, motor operation distribution on the crossbeam (field 1) - L60/L70



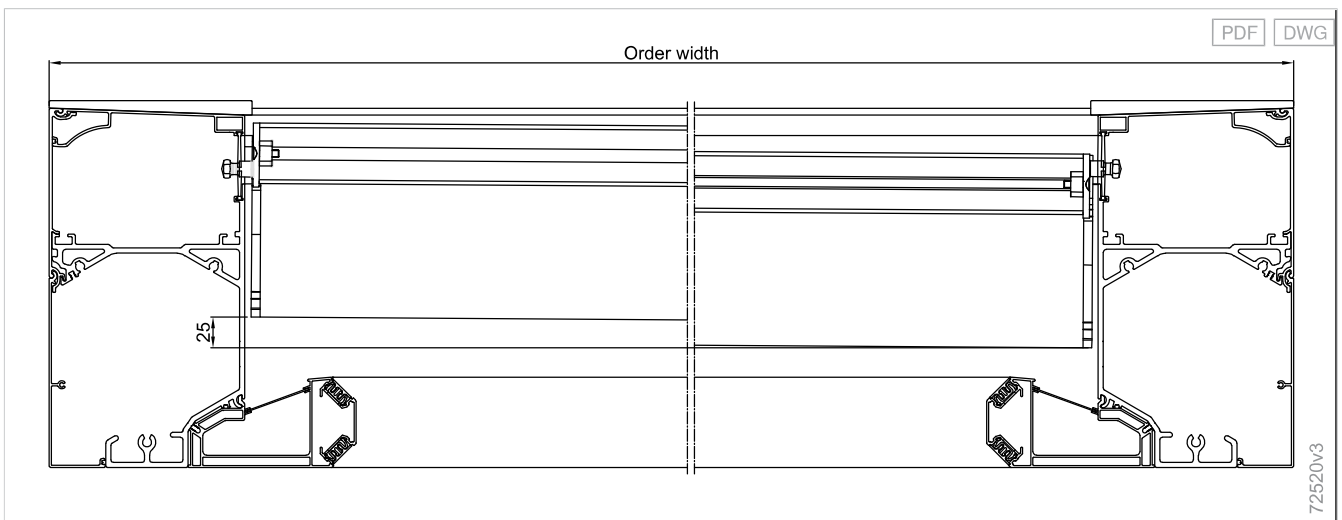
One length compensation plate, motor operation distribution on the crossbeam (field 3) - L60/L70



Two length compensation plates, motor operation distribution on the crossbeam (field 3) - L60/L70

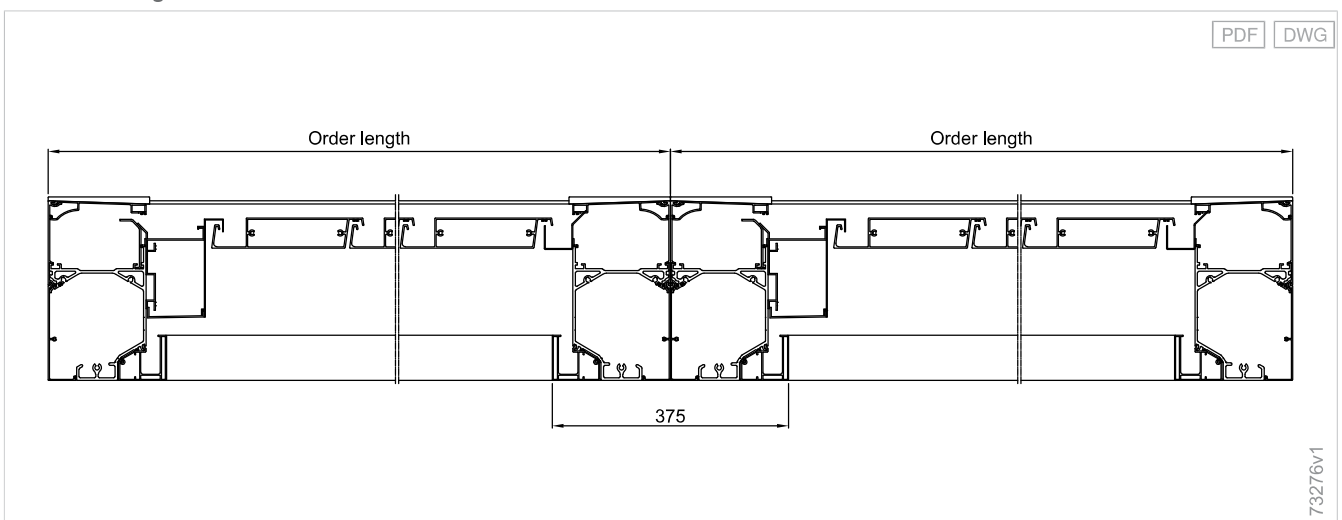


Top view, motor operation distribution on the crossbeam - L60/L70



Attention: The motor operation distribution is assigned parallel to the slats, resulting in a height offset between field 2 and field 4.

Joint order length - Lamaxa Line L60/L70



Planning

Slat roofs
Lamaxa

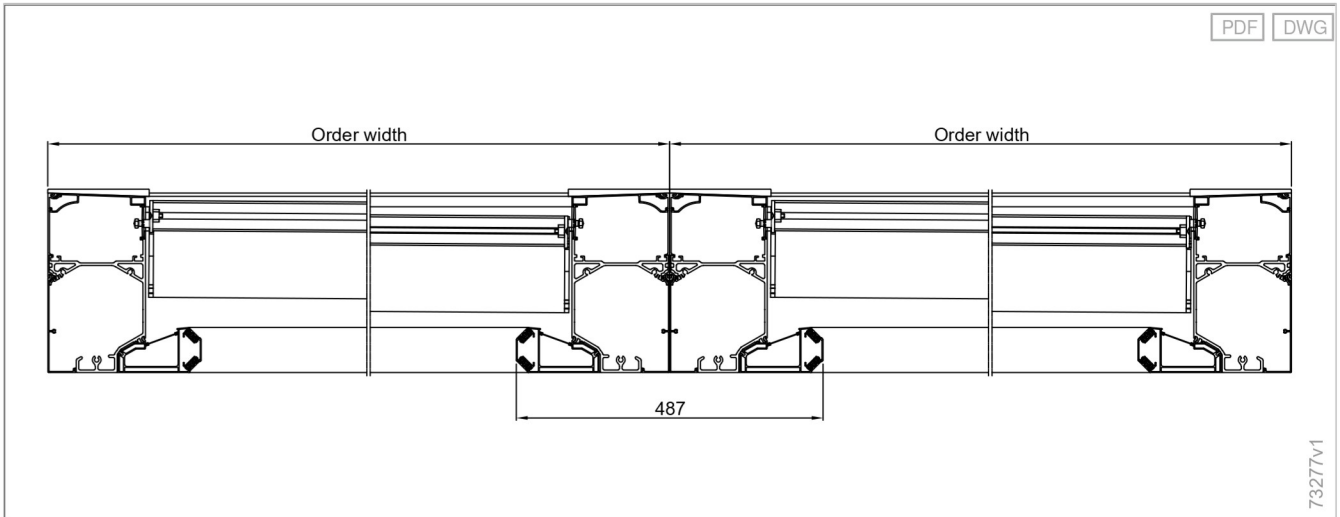
Glass roofs
Lamaxa

Fabric roofs
Lamaxa

Supplementary
accessories

Drive
variants

Standards



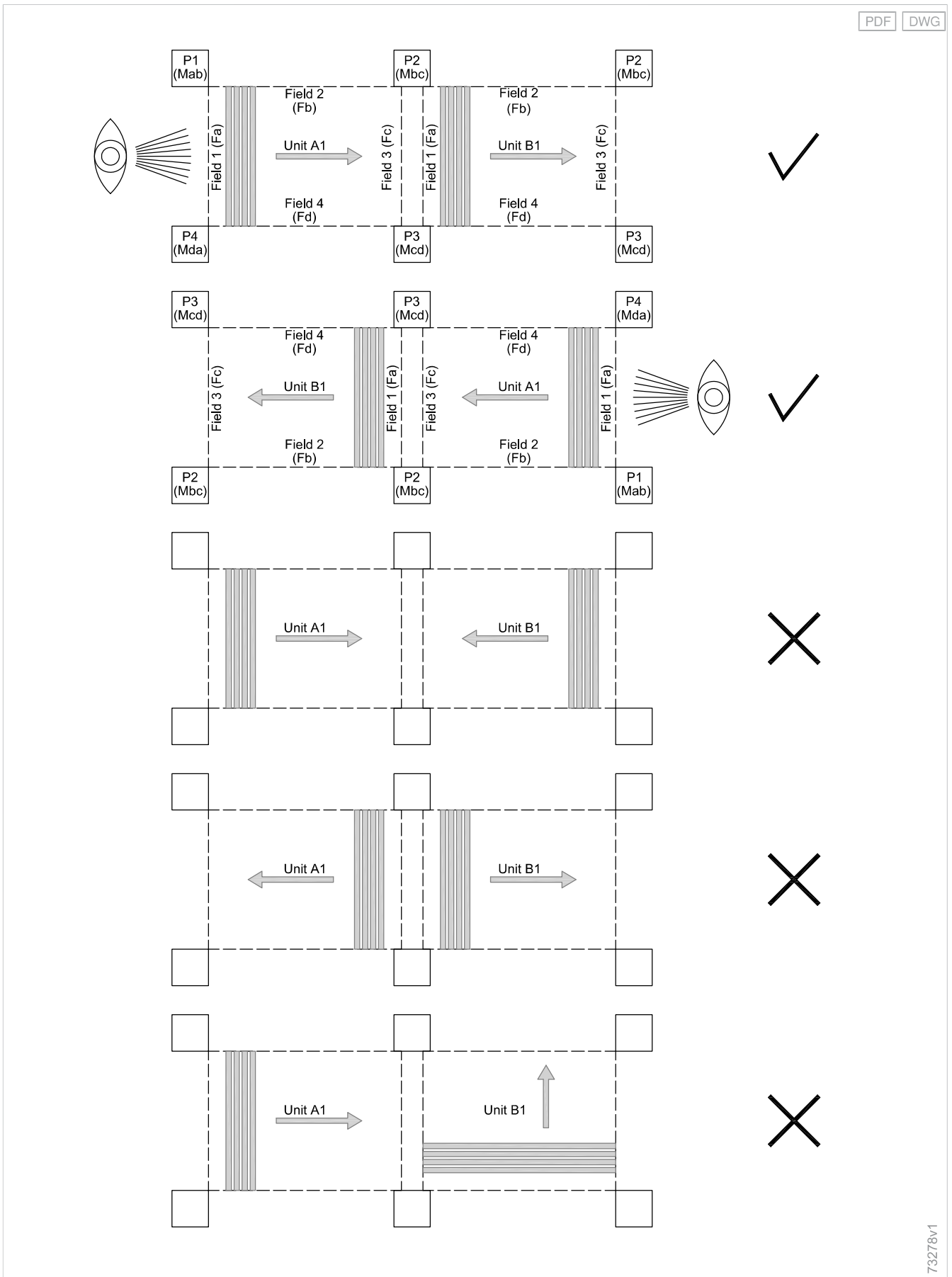
Additional product information

Pole installation options

Ground installation with frost-proof on-site foundation.

Mounting examples

Joint order width - Lamaxa Line L60/L70



P Position

73278v1

Planning

Slat roofs
Lamaxa

Glass roofs
Lamaxa

Fabric roofs
Lamaxa

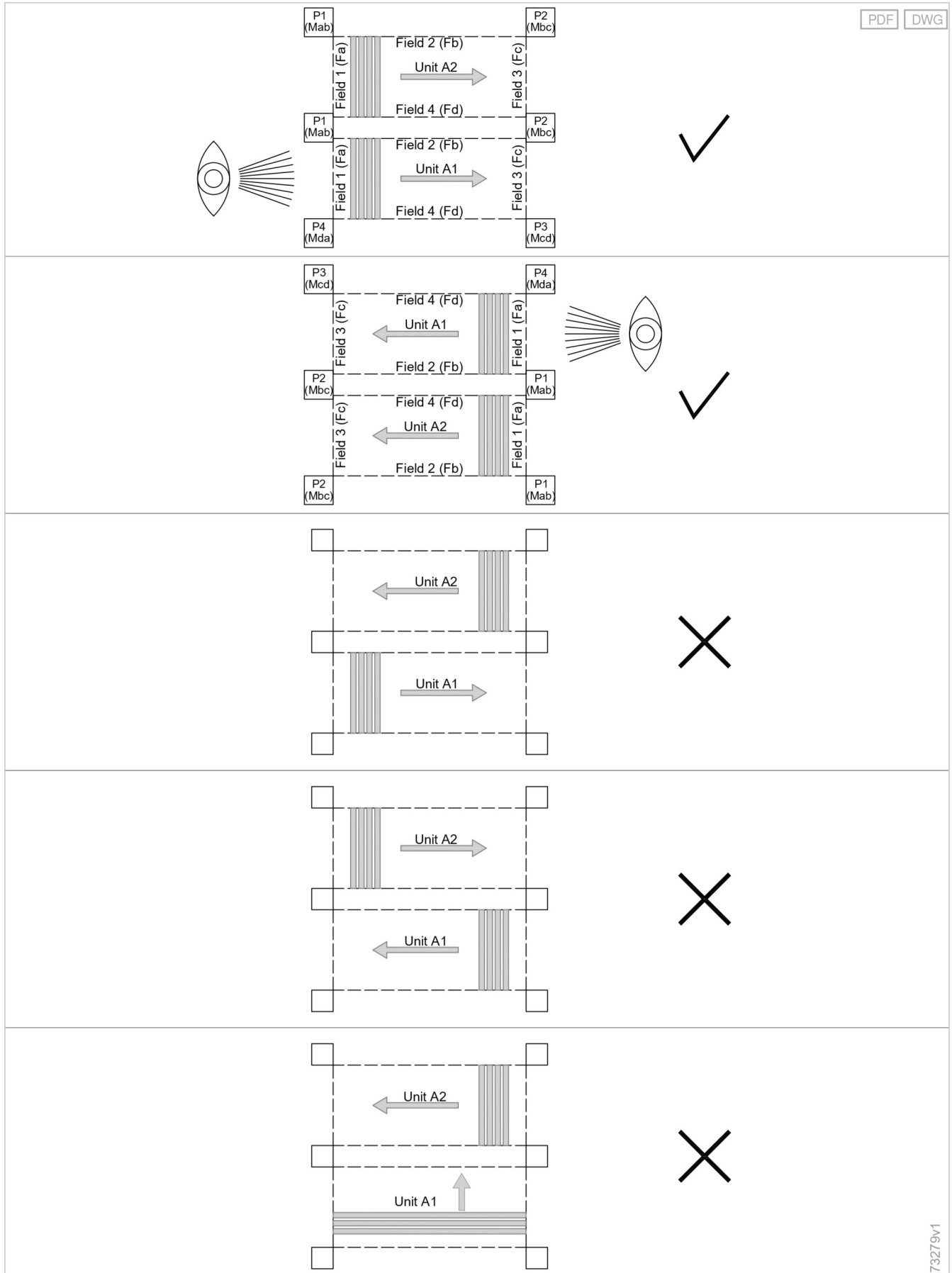
Supplementary
accessories

Drive
variants

Standards

Both units of a Lamaxa Line always have the same closing or extension direction. With joint order width, the unit A1 (field 3) is joined to unit B1 (field 1). With joint order length, the unit A1 (field 2) is joined to unit A2 (field 4). Counter-rotation is therefore not possible. The slats extend in the direction of field 3 on an L70. On an L60 and L70, the slats close in the direction of field 3 (closing direction).

Joint order length - Lamaxa Line L60/L70



73279v1

P Position

Both units of a Lamaxa Line always have the same closing or extension direction. With joint order width, the unit A1 (field 3) is joined to unit B1 (field 1). With joint order length, the unit A1 (field 2) is joined to unit A2 (field 4). Counter-rotation is therefore not possible. The slats extend in the direction of field 3 on an L70. On an L60 and L70, the slats close in the direction of field 3 (closing direction).