



Gibus design interacts with nature to obtain maximum comfort and minimum energy waste. The bioclimatic cover solutions can regulate the microclimate of the environment underneath by creating natural ventilation. The aluminum blades that make up the cover are moved by a motorized system and can rotate from the horizontal closed position, which guarantees an excellent seal in case of rain, to the open position, according to an angle that varies from 0 to 120 degrees. The exposure to sun of the external side of the blades generates heat, which induces a natural convective movement of air from down to up through the blades. pleasant, refreshing breeze provides a comfortable environment without any mechanical intervention. Naturally and without energy consumption. Adjusting the blades permits modulating the cooling effect and the sunlight that filters into the environment below, giving full control of the microclimate and one's own comfort. Even if it rains there is maximum protection because the blades have been designed to waterproof and permit the flow of water only through the appropriate gutters integrated into the structure columns (patented Side Seal). naturally beautiful, efficient and reliable system that Gibus has developed, filing patents for the innovative technological content.

JOY ISLAND (Basic Module)



4 posts:
width up to cm 450
projection up to cm 610



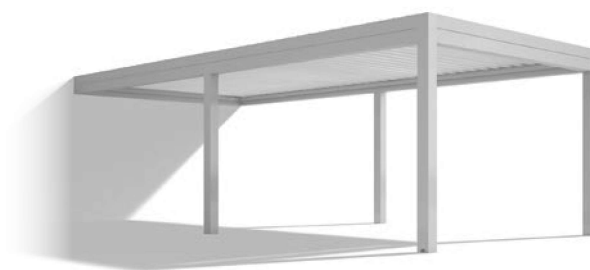
6 posts:
width up to cm 450
projection up to cm 690

JOY FRONTAL LEANING VERSION (Basic Module)

(blades parallel to the wall)



2 posts:
width up to cm 450
projection up to cm 610



4 posts:
width up to cm 450
projection up to cm 690

JOY LATERAL LEANING VERSION (Basic Module)

(blades perpendicular to the wall)



2 posts:
projection up to cm 450
width up to cm 610



3 posts:
projection up to cm 450
width up to cm 690

JOY WALL (Basic Module)



4 wall fixing:
width up to cm 450
projection up to cm 610

6 wall fixing:
width up to cm 450
projection up to cm 690

Selfbearing bioclimatic pergola with louvre system.
 The structure allows the installation of ZIP Screens and glass walls.

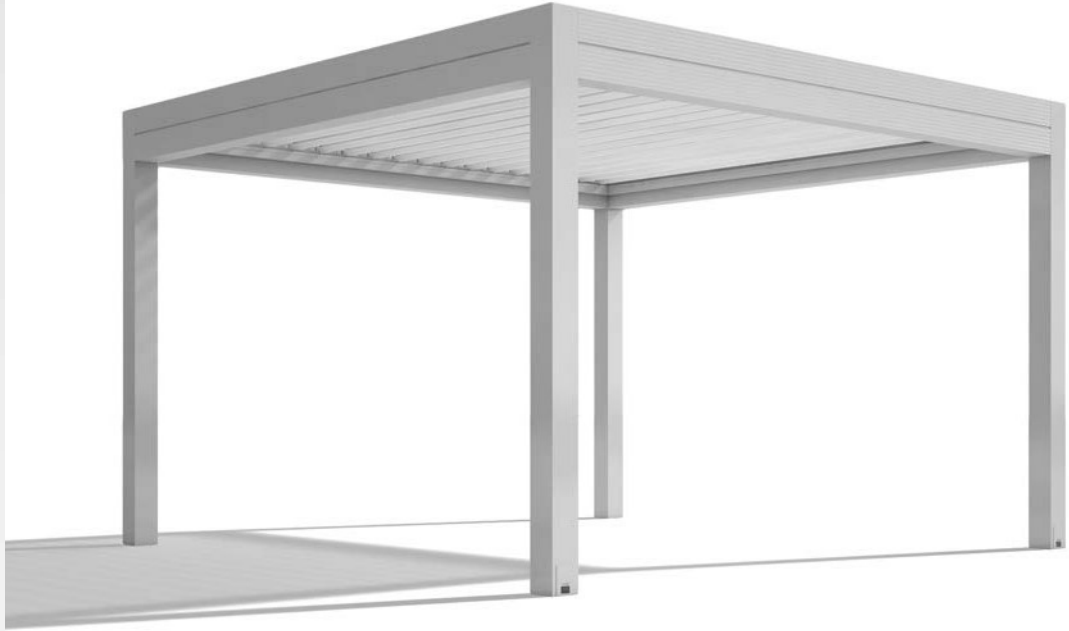
MOVEMENT SYSTEM
 Motorization + wired power unit.

STANDARD

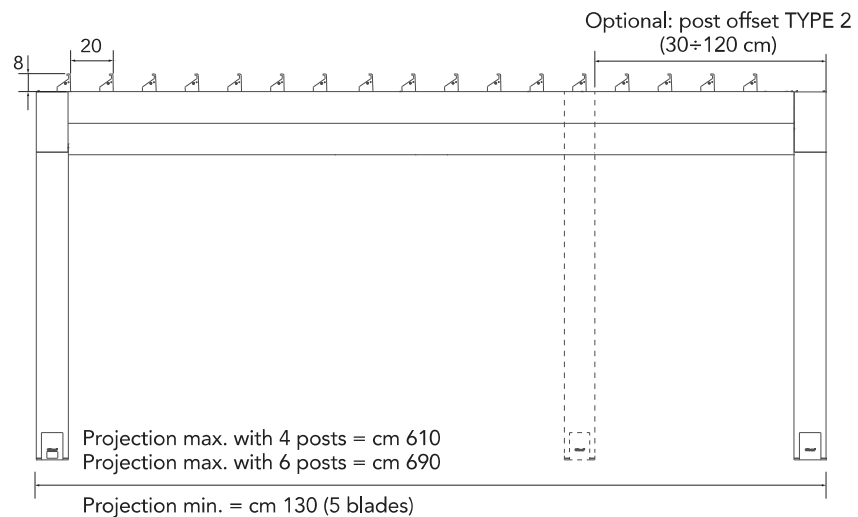
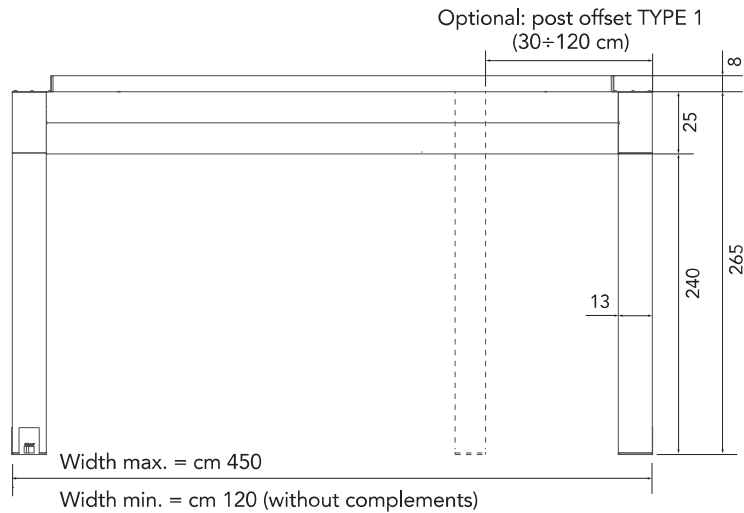
- Posts 130x130 mm, height 240 cm with foot plate standard
- Power supply unit for LED up to 105/130 W Watts with integrated temperature sensor

COMPLEMENTS

- Sensors and electric devices
- Blades insulation
- Lighting with BLADE LED SPOT
- Perimeter lighting with LED STRIP RGB and WHITE
- Interface for Smart Devices control
- Radio interface for Domotic System
- Mistig System
- Electronic De-Icing System in the gutter
- External audio system
- Heaters
- Arm awnings for Pergola



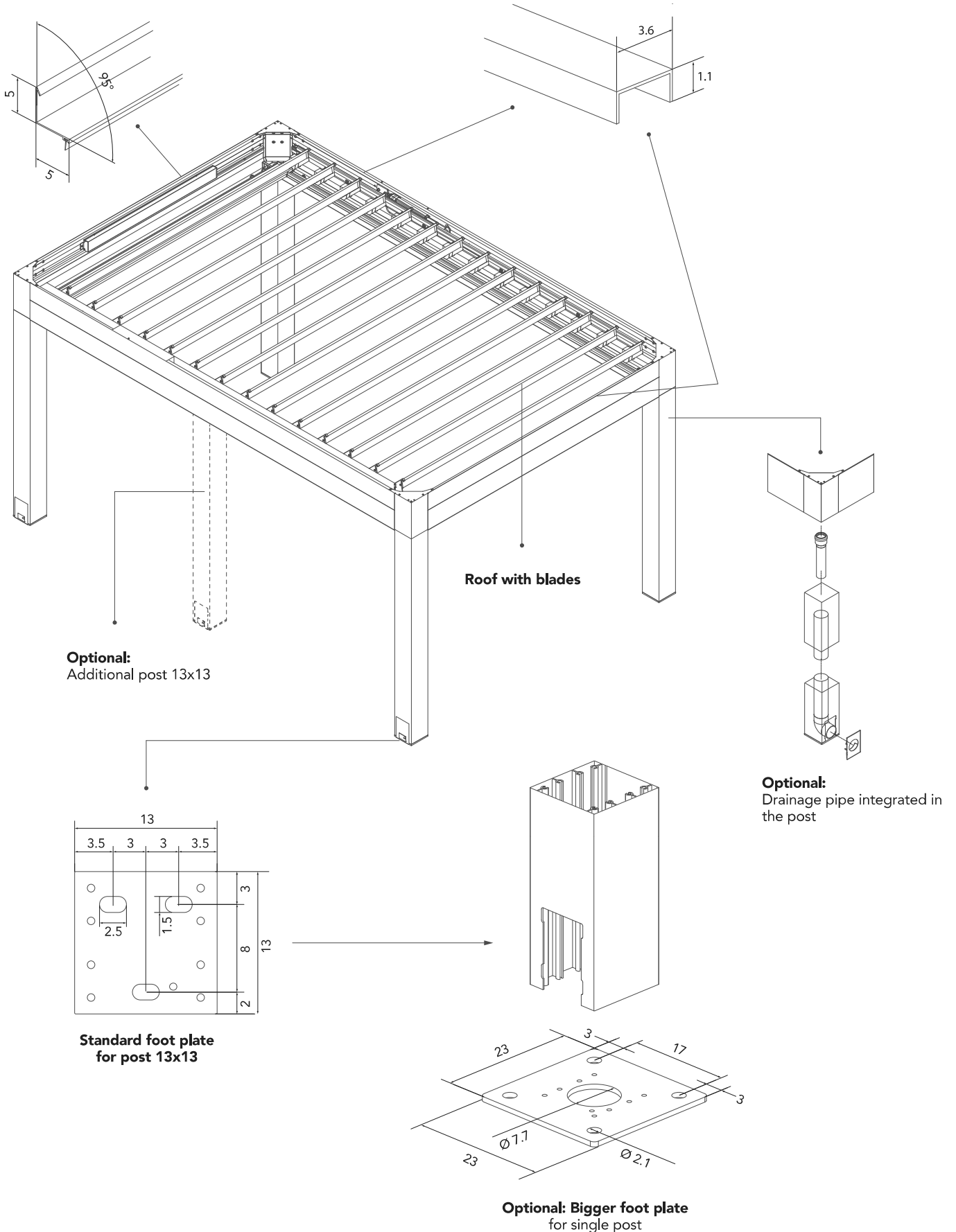
MEASUREMENT AND DIMENSIONAL LIMITS



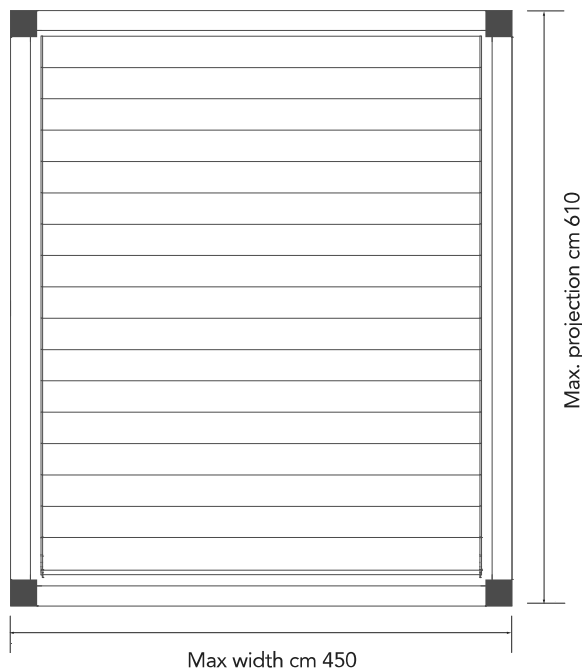
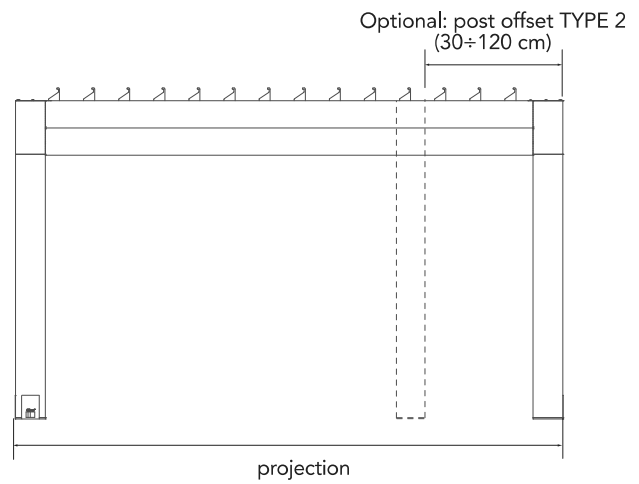
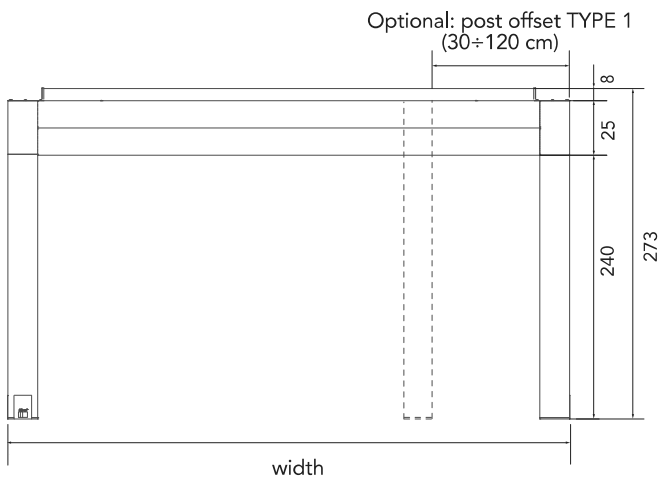
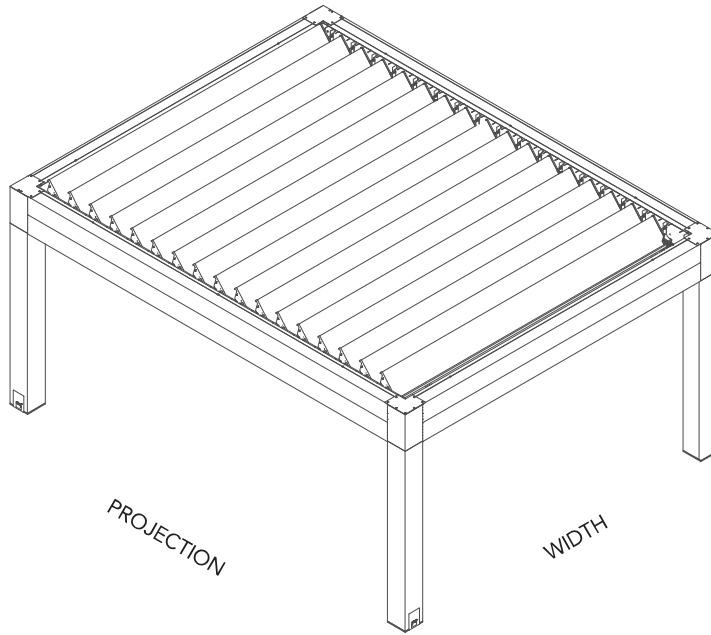
STRUCTURE DETAILS

Optional: Wall flashing
 (necessary in case of wall leaning version)

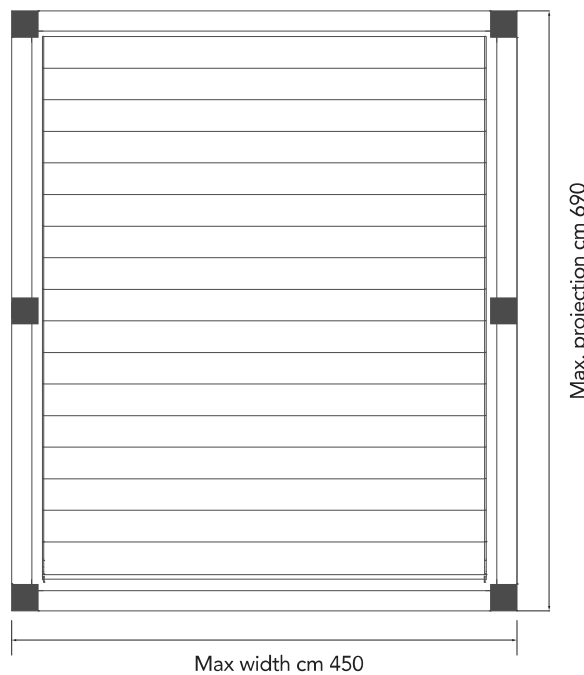
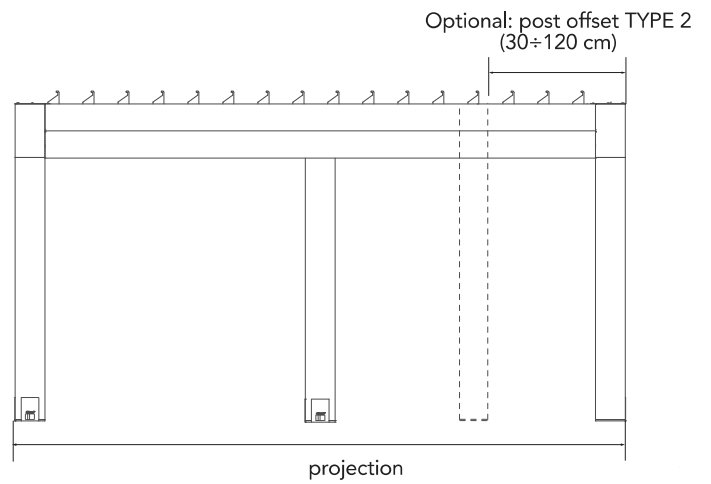
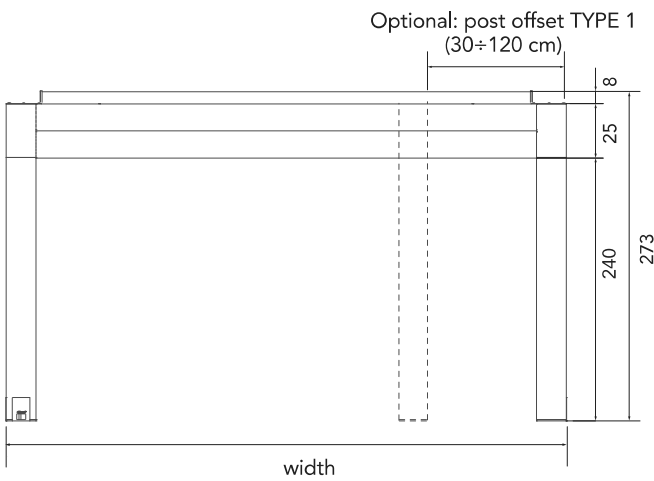
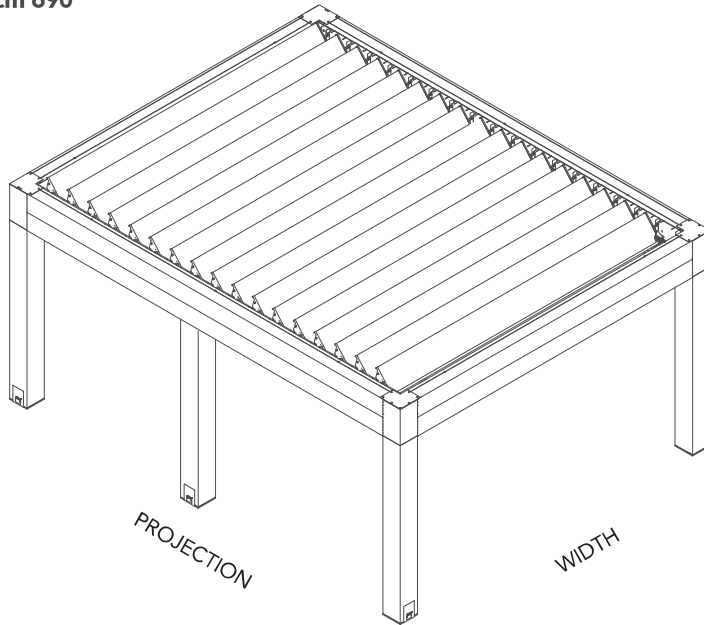
Coupling profile JOY
 (for coupling TYPE 1 and TYPE 2)

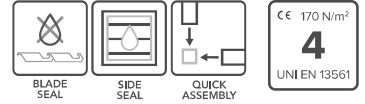


JOY ISLAND 4 POSTS
 projection from cm 210 to cm 610



JOY ISLAND 6 POSTS
 projection from cm 630 to cm 690





Bioclimatic pergola leaning against the wall, with louvre system parallel to the fixing wall. The structure allows the installation of ZIP Screens and glass walls.

MOVEMENT SYSTEM

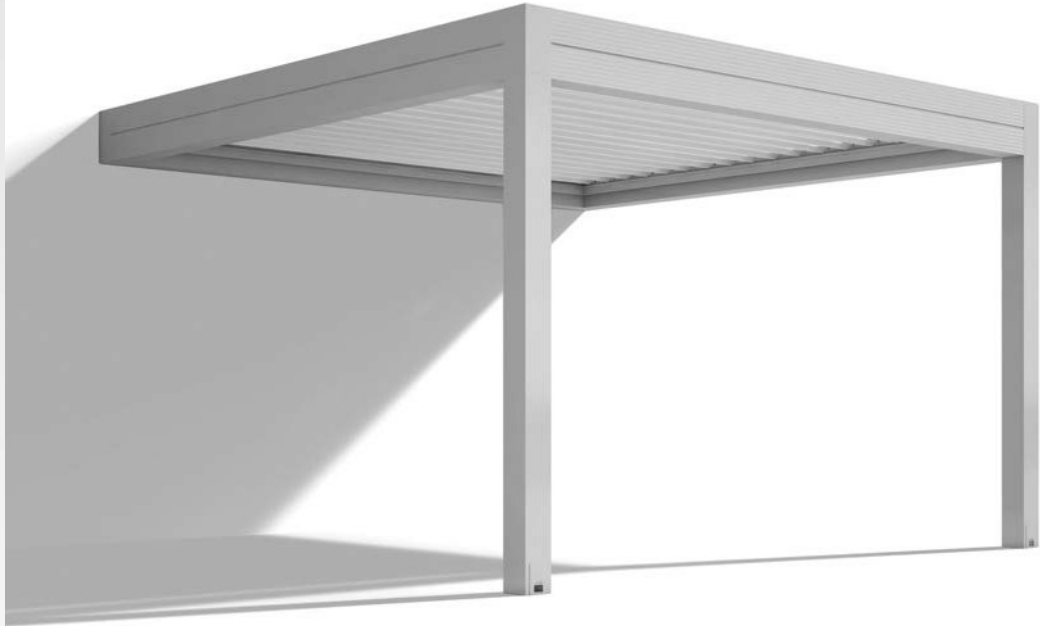
Motorization + wired power unit.

STANDARD

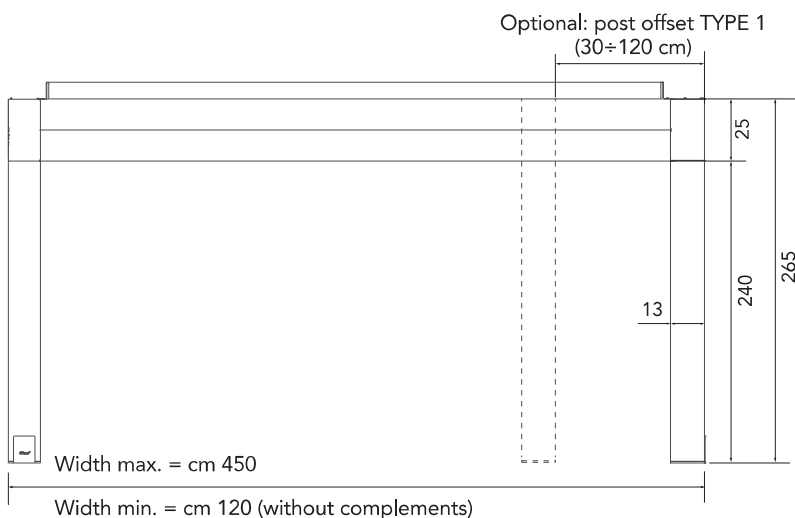
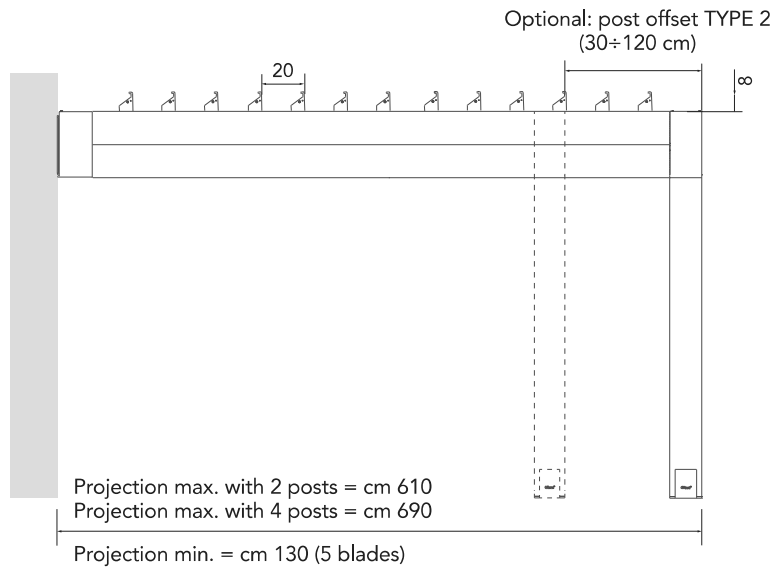
- Posts 130x130 mm, height 240 cm with foot plate standard
- Power supply unit for LED up to 105/130 W with integrated temperature sensor
- Wall flashing

COMPLEMENTS

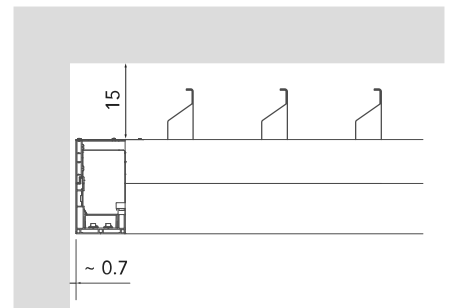
- Sensors and electric devices
- Blades insulation
- Lighting with BLADE LED SPOT
- Perimeter lighting with LED STRIP RGB and WHITE
- Interface for Smart Devices control
- Radio interface for Domotic System
- Mistig System
- Electronic De-icing System in the gutters
- External audio system
- Heaters
- Arm awnings for Pergola



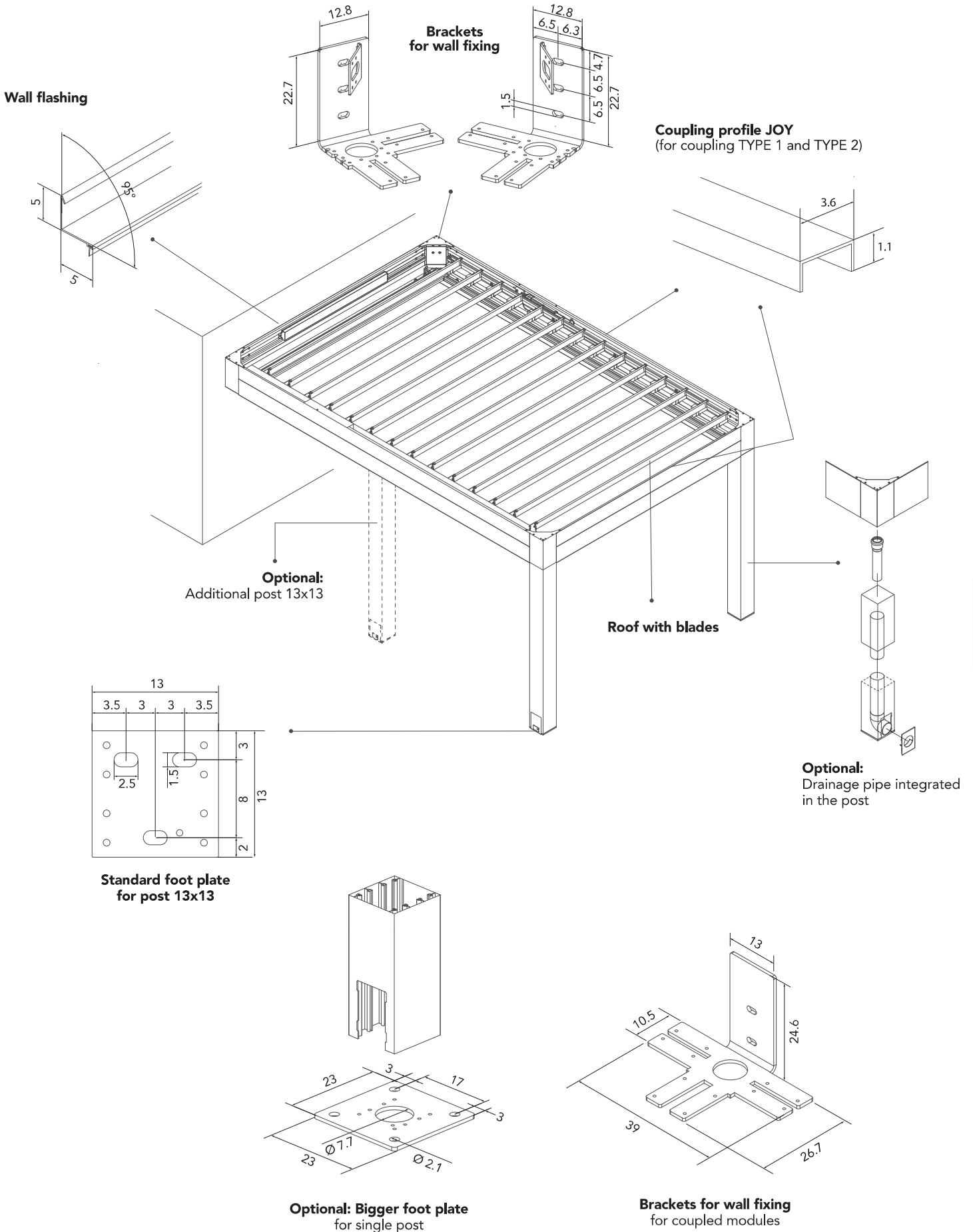
MEASUREMENT AND DIMENSIONAL LIMITS



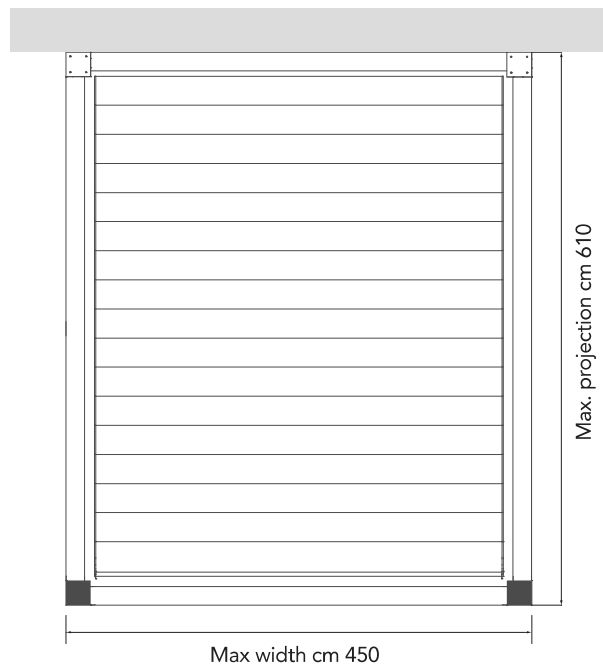
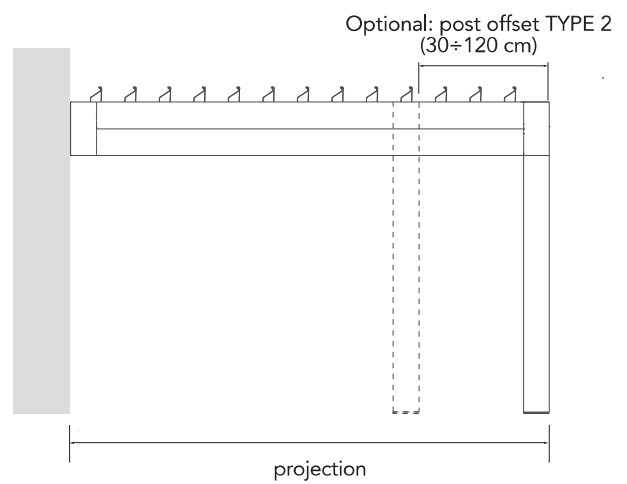
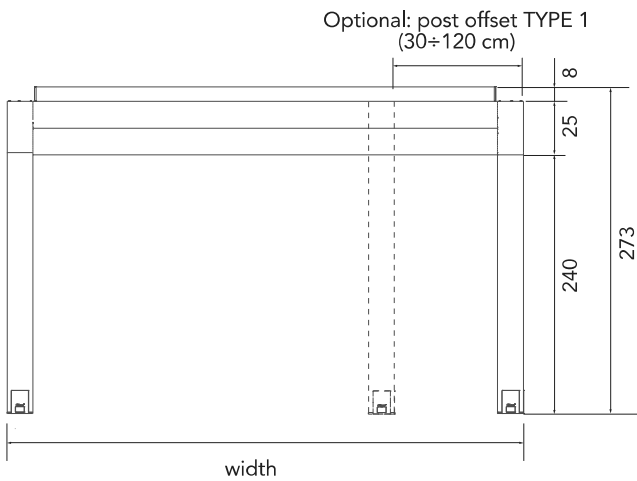
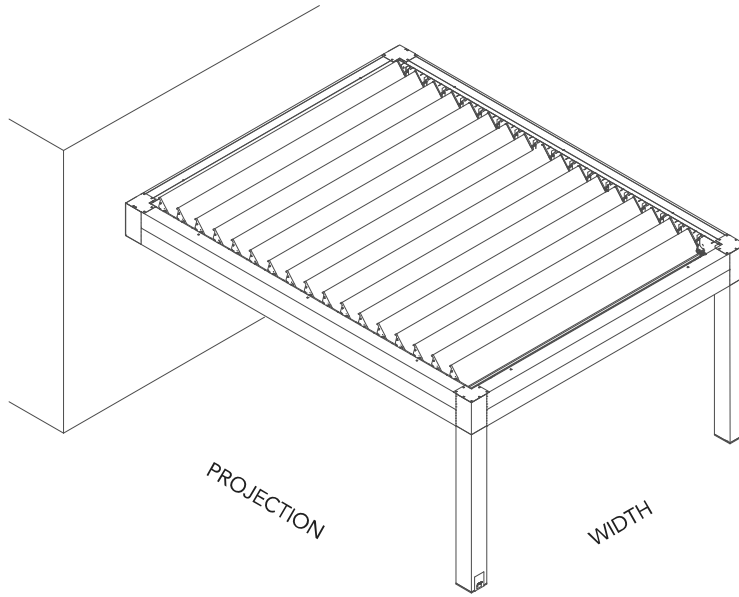
15 cm it's the minimum distance between the horizontal band and the ceiling for a proper installation. As there is a fixing wall bracket, the real projection is 7 mm longer than the nominal projection



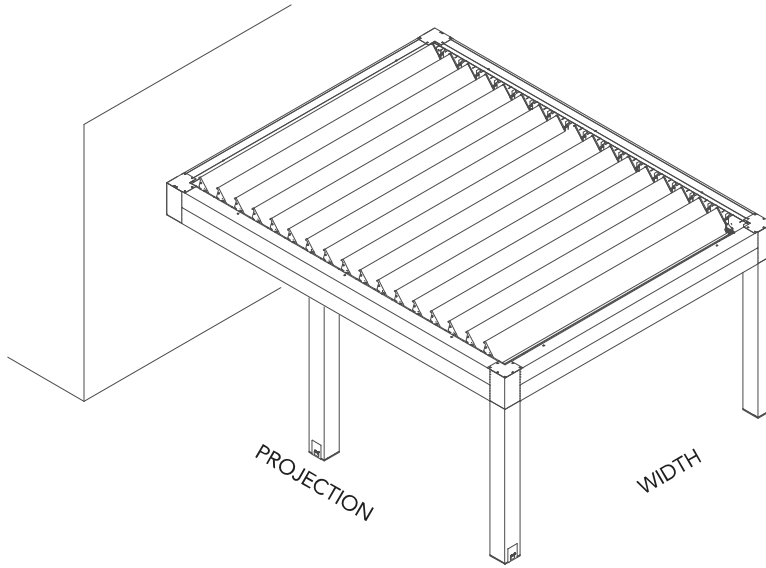
STRUCTURE DETAILS



JOY FRONTAL LEANING VERSION 2 POSTS
 projection from cm 210 to cm 610



JOY FRONTAL LEANING VERSION 4 POSTS
 projection from cm 630 to cm 690



Optional: post offset TYPE 1
 (30÷120 cm)

Optional: post offset TYPE 2
 (30÷120 cm)

