

Bioclimatic pergola leaning against the wall, with louvre system perpendicular to the wall. The structure allows the installation of ZIP Screens and glass walls.

MOVEMENT SYSTEM

Motorisation system comprising 1 motor and 1 wired control unit that can be connected to the home's Wi-Fi network, home automation system, if present or a push-button (not included). If MOVIE is controlled by Smart Device via the ONESMART APP, it is necessary to check that the Wi-Fi signal is present with sufficient intensity.

STANDARD

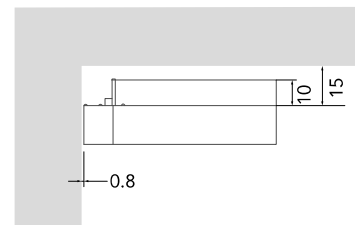
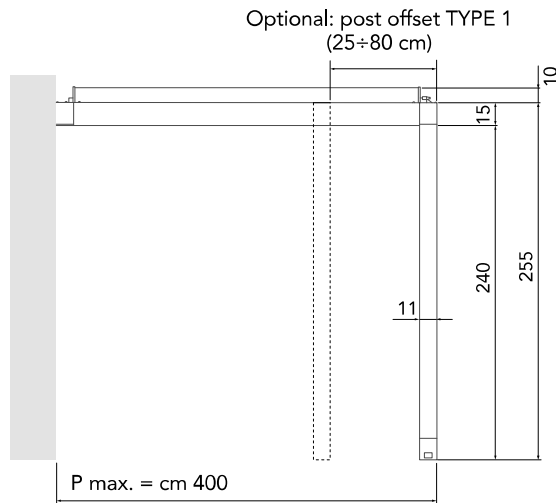
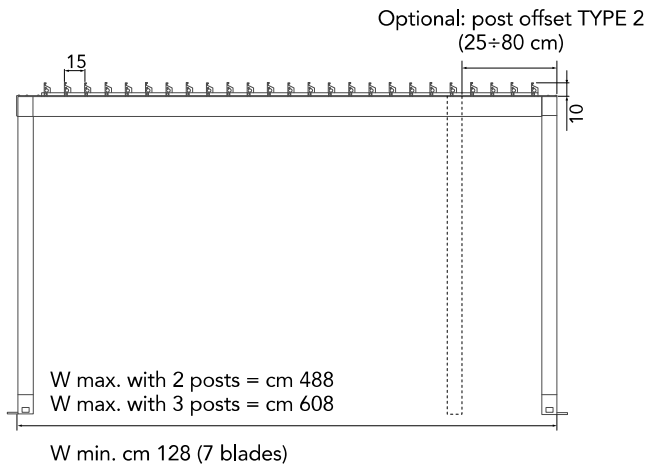
- Posts 11x11 cm, height 240 cm with 16x11 cm projecting standard foot plate.
- Wall flashing.

COMPLEMENTS

- Remote controls, sensors and electric devices
- Illumination with led
- Blades Insulation
- External audio system
- Wall heaters



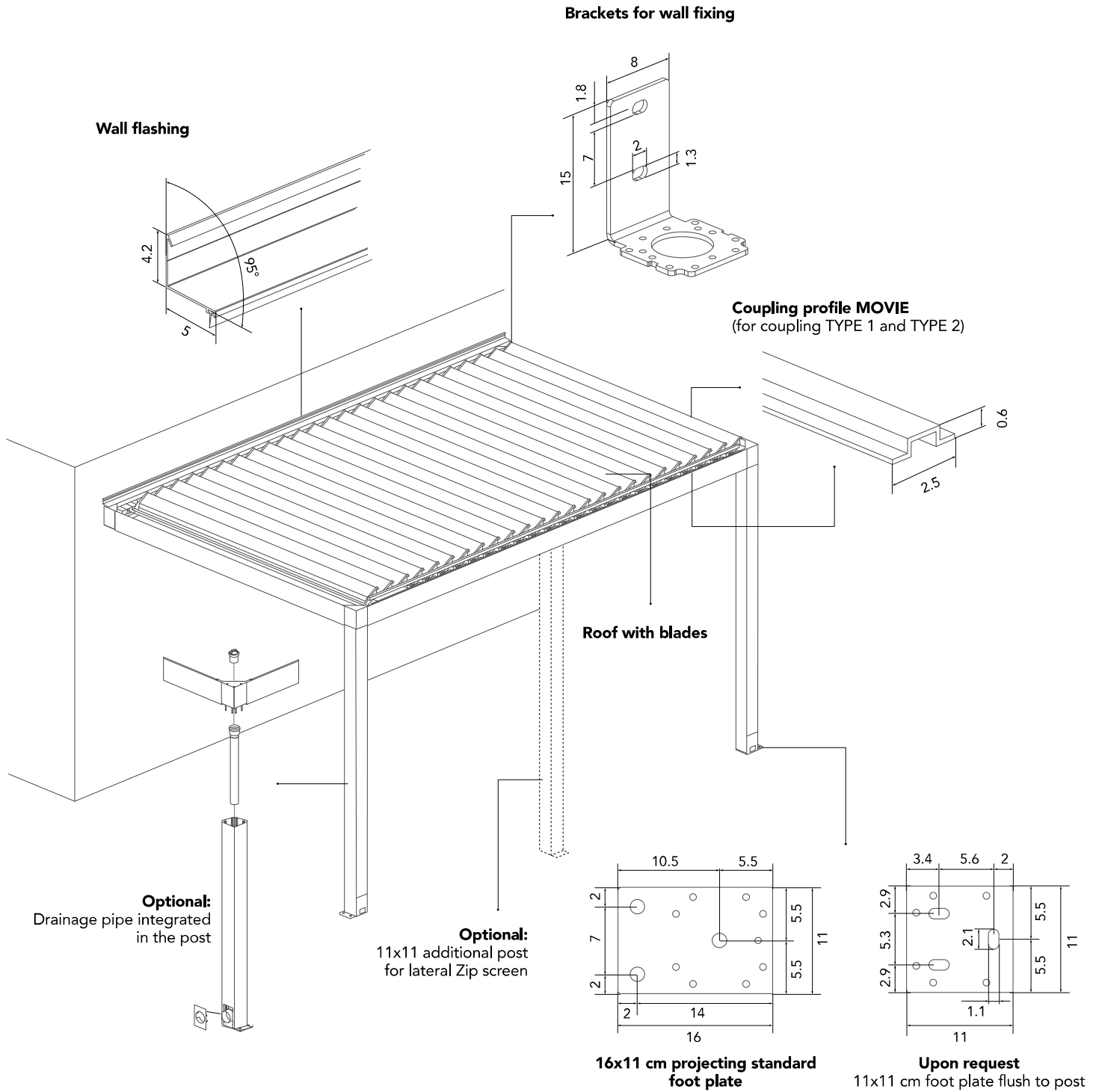
MEASUREMENT AND DIMENSIONAL LIMITS



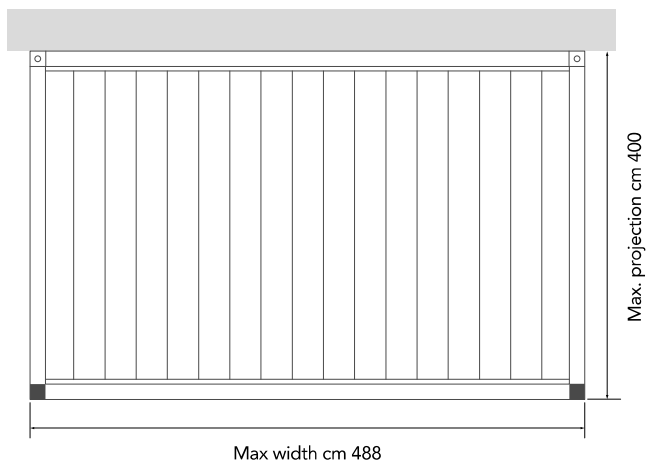
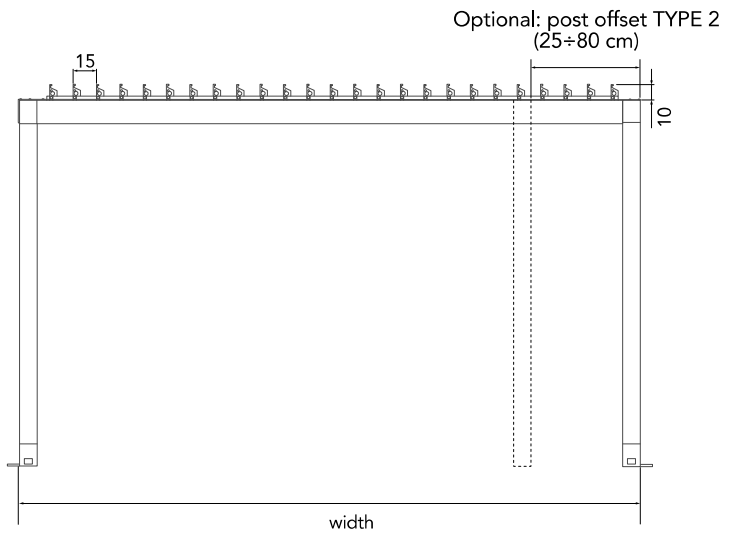
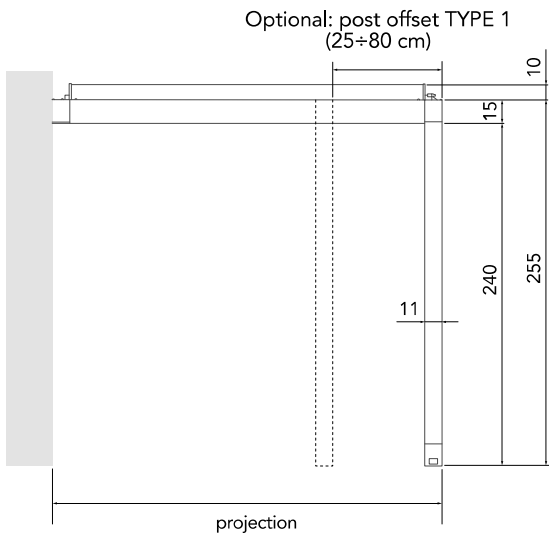
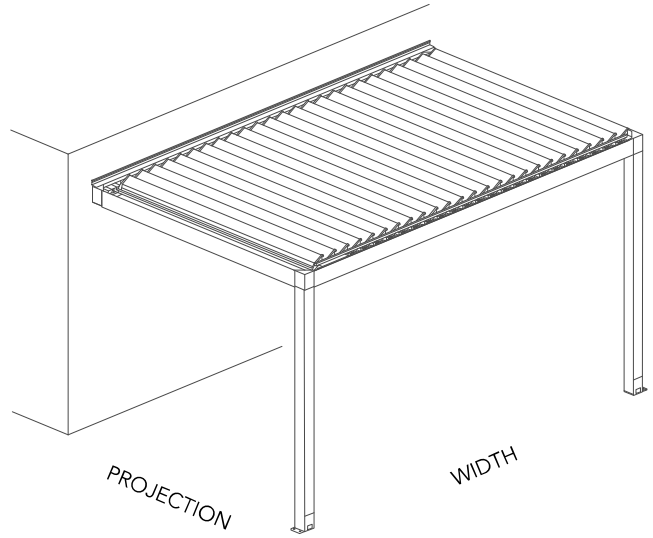
15 cm it's the minimum distance between the horizontal band and the ceiling for a proper installation. As there is a fixing wall bracket, the real projection is 0,8 cm longer than the nominal projection.

- P min. cm 130 without led and power unit to manage CLICK ZIP
- P min. cm 250 with led
- P min. cm 180 with power unit to manage lateral CLICK ZIP
- P min. cm 300 with led and power unit to manage lateral CLICK ZIP

STRUCTURE DETAILS



MOVIE LATERAL LEANING VERSION 2 POSTS
 width from cm 128 to cm 488



MOVIE LATERAL LEANING VERSION 3 POSTS
 width from cm 489 to cm 608

